

B.lux

MAKING
LIGHTS FOR A
BRIGHTER LIFE
SINCE 1979

NEW
COLLECTIONS

Decorative
Lighting

Architectural
Lighting

Outdoor
Lighting

bluxlighting.com

B.lux

B.lux

We are manufacturers

En B.lux somos fabricantes de luminarias de diseño contemporáneo desde 1979. Nuestros productos se distribuyen en 65 países de los cinco continentes. Esta destacada presencia internacional es posible gracias al riguroso control de los procesos de fabricación y distribución del que gozan nuestras luminarias. Apostamos por las relaciones largas y duraderas basadas en la confianza entre fabricante y cliente. Nuestro éxito se fundamenta en un crecimiento pausado, sostenido en el tiempo, con pasos seguros. No hay secretos, sino el resultado natural de nuestra dedicación y talento de nuestro equipo para darte el mejor servicio.

In B.lux we are manufacturers of contemporary design lamps since 1979. Our products are distributed in 65 countries on five continents. This outstanding international presence is possible thanks to the rigorous control of the manufacturing and distribution processes to which we subject our luminaires, allowing them to meet and exceed the most demanding quality standards. We are committed to long-lasting relationships based on trust between manufacturer and customer. Our success is based on a slow growth, sustained over time, which advances with secure steps. There are no secrets – this is the natural result of our team's dedication and talent focused on offering the best service.



Berry

by
Stone Designs

Decorative
lighting

La colección Berry cuenta con una cabeza lumínica dotada de un sistema magnético que nos permite moverla a nuestro antojo. La familia incluye luminarias de suspensión, de aplique y de pie.

Berry está fabricada en aluminio y cuenta con una fuente de luz LED con una óptica concentrada con 3 ángulos de apertura que van desde 18° hasta 60°, lo que nos permite centrar y enfocar la luz en el espacio. Su tamaño es de 3.15" de diámetro y cuenta con una altura total de 13.8".

La colección Berry se presenta en cuatro acabados diferentes: beige, blanco, negro y bronce.

The Berry collection showcases a lamp equipped with a magnetic system that enables us to adjust its position as desired. The family includes a suspension lamp, a wall lamp, and a floor lamp.

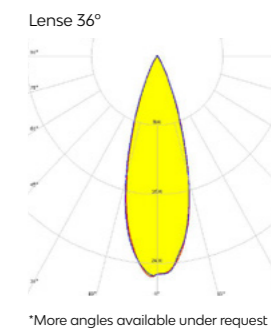
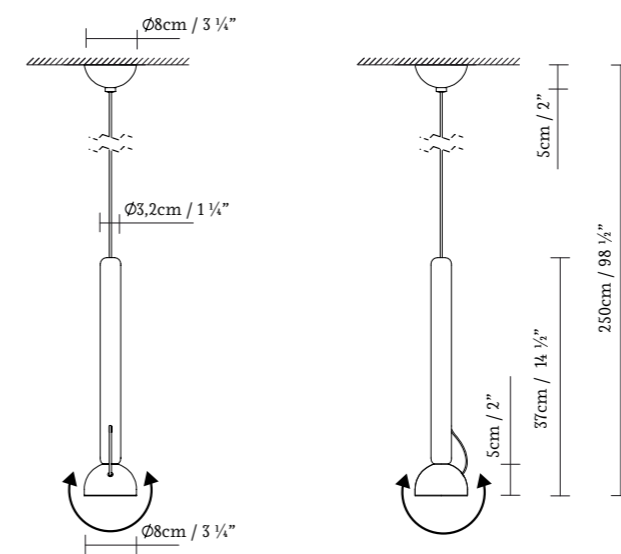
Berry is made of aluminum and features an LED light source with a concentrated optics that offers 3 different beam angles ranging from 18° to 60°, allowing us to focus and direct the light in the space. It has a diameter of 3.15" cm and a total height of 13.8".

The Berry collection is available in four different finishes: beige, black, white and bronze.





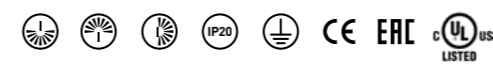
BERRY S



- Black (matte)
- White (matte)
- Beige (matte)
- Bronze (matte)
- Custom colors under request

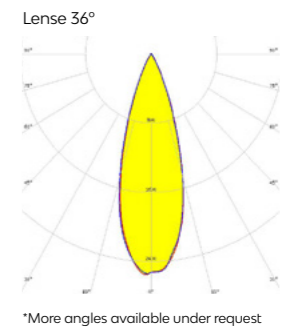
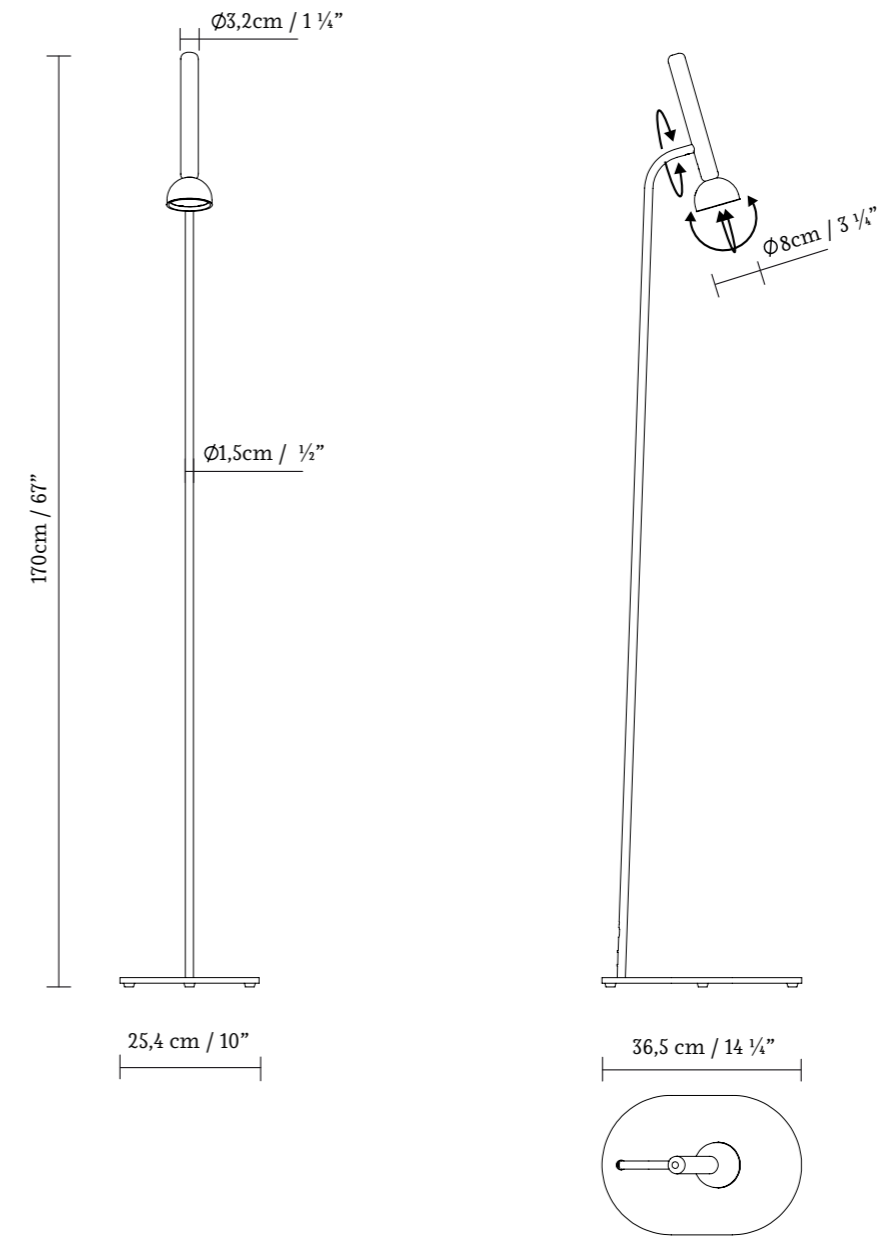
- 766300U **BERRY S BLACK**
- 766301U **BERRY S WHITE**
- 766302U **BERRY S BEIGE**
- 766303U **BERRY S BRONZE**

LED 4,5W 546lm 250mA 2700K CRI≥90 120V





BERRY F



*More angles available under request

- Black (matte)
- White (matte)
- Beige (matte)
- Bronze (matte)
- Custom colors under request

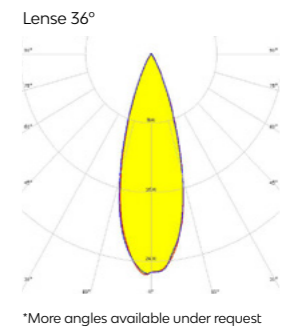
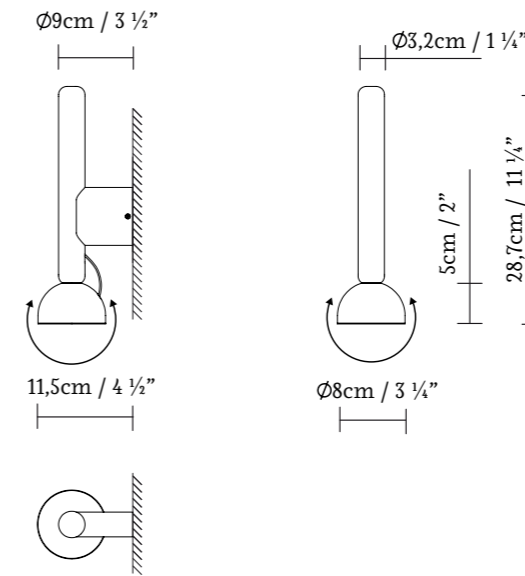
- 766200U **BERRY F BLACK**
- 766201U **BERRY F WHITE**
- 766202U **BERRY F BEIGE**
- 766203U **BERRY F BRONZE**

LED 4,5W 546lm 250mA 2700K CRI≥90 120V





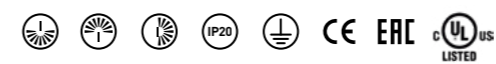
BERRY W



- Black (matte)
- White (matte)
- Beige (matte)
- Bronze (matte)
- Custom colors under request

- 766110U **BERRY W BLACK**
- 766111U **BERRY W WHITE**
- 766112U **BERRY W BEIGE**
- 766113U **BERRY W BRONZE**

LED 4,5W 546lm 250mA 2700K CRI≥90 120V



Crosshatch

by
Brad Ascalon

**Decorative
lighting**

Crosshatch está formado por una estructura reticular metálica en tres formatos (S/M/L) disponibles en versión techo y pared y dos formatos (M/L) en versión suspensión. Gracias a su cableado interno, se pueden combinar entre ellos para crear múltiples composiciones con tan solo una acometida. La ligereza de su estructura permite crear grandes volúmenes sin recargar el espacio. Su mayor atractivo reside, precisamente, en el juego de vacíos y luces que genera allí donde se instala.

Como fuente de luz emplea un LED (18W 1800lm 2700K) regulable por corte de fase, que se aloja en un difusor de vidrio opal blanco de 15 centímetros de diámetro. El conjunto garantiza un óptimo confort visual, así como una ausencia total de deslumbramiento.

La versión a pared ofrece también la posibilidad de incorporar baldas para la colocación de libros o accesorios de decoración.

Crosshatch is made up of a metallic reticular structure in three sizes (S/M/L) available in ceiling and wall versions and two sizes (M/L) for the suspension version. Thanks to its internal wiring, they can be combined to create multiple compositions with just one power supply. The lightness of its structure allows us to create volumes without overloading the space. Its main appeal lies precisely in the game of voids and lights that it generates wherever it is installed.

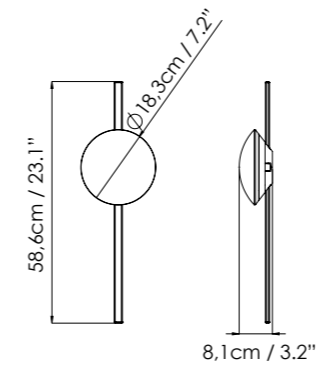
As a light source, it uses a dimmable LED (18W 1800lm 2700K), which is housed in a white opal glass diffuser with a diameter of 15 centimeters. The whole set guarantees optimal visual comfort as well as a complete absence of glare.

The wall version also offers the possibility of incorporating shelves for books or other decorative accessories.

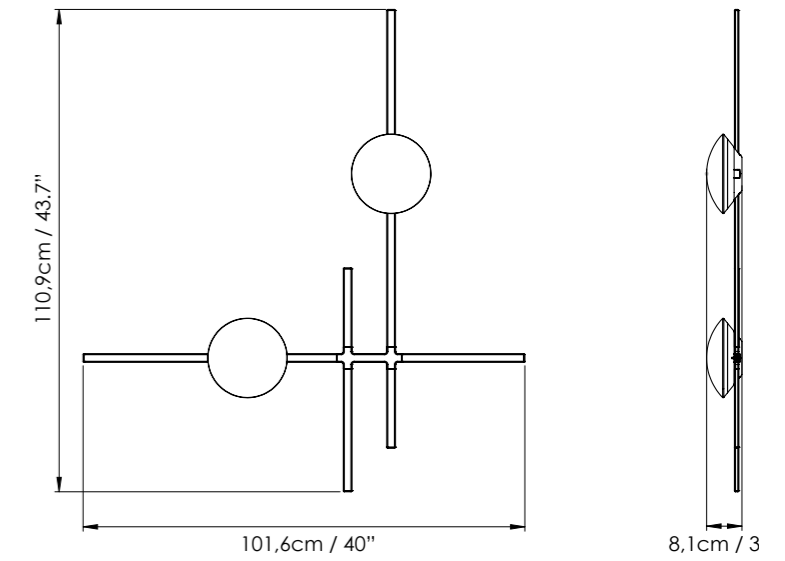




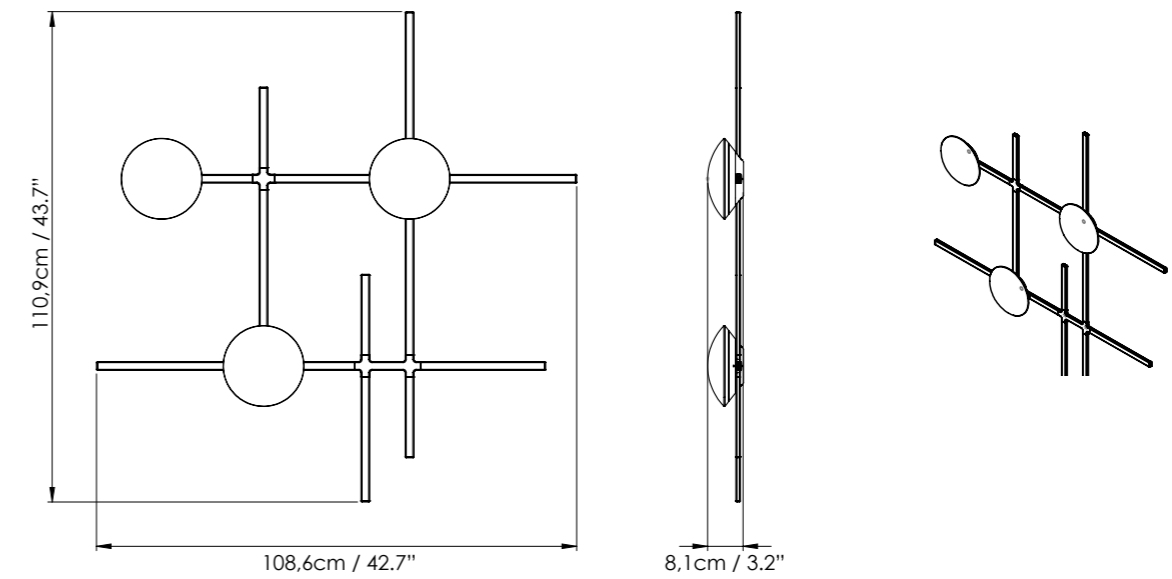
CROSSHATCH C/W - S



CROSSHATCH C/W - M



CROSSHATCH C/W - L



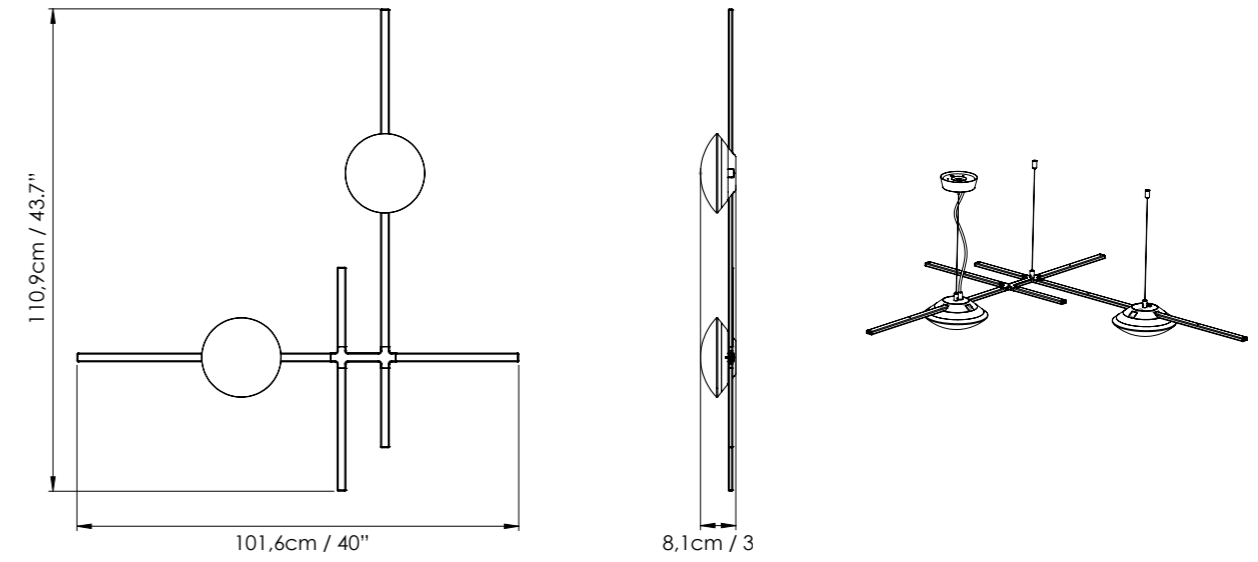
● Black (matte)

767100U	CROSSHATCH C/W S	F	LED 18W 1800lm 2700K CRI≥90 120V DIM PHASE CUT
767110U	CROSSHATCH C/W M	F	2 x LED 18W 3600lm 2700K CRI≥90 120V DIM PHASE CUT
767120U	CROSSHATCH C/W L	F	3 x LED 18W 5400lm 2700K CRI≥90 120V DIM PHASE CUT
767980U	CROSSHATCH SHELF		

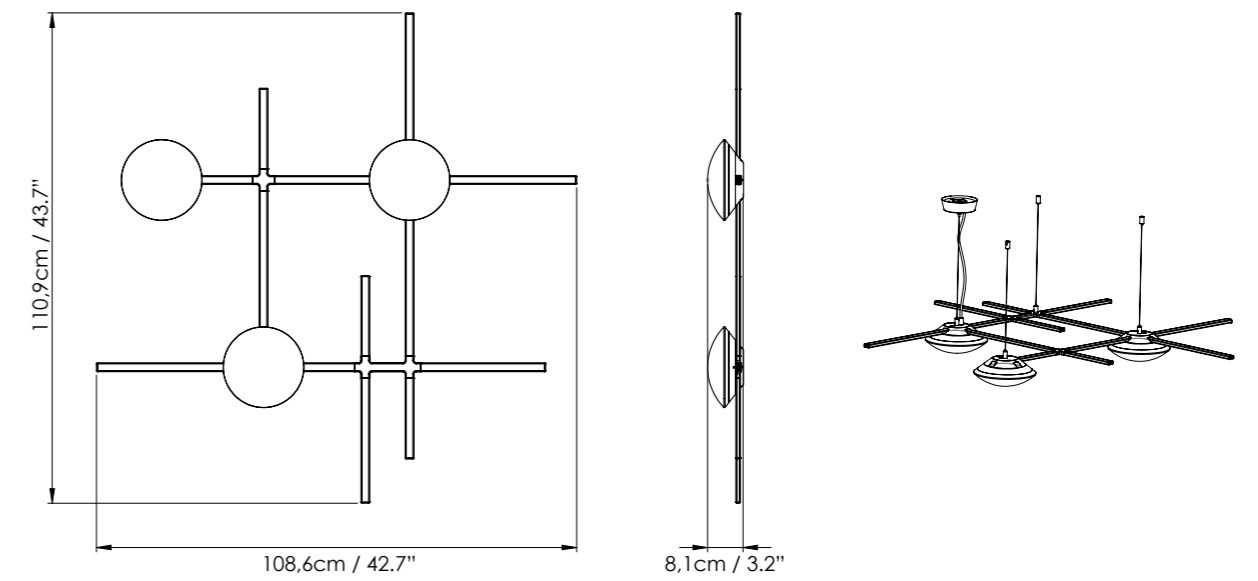




CROSSHATCH S - M



CROSSHATCH S - L



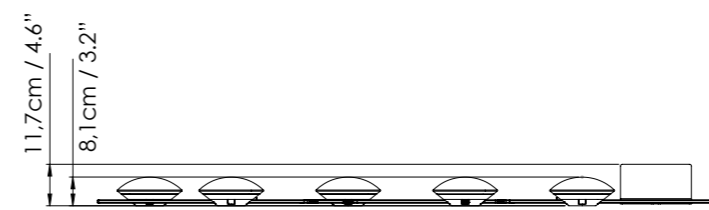
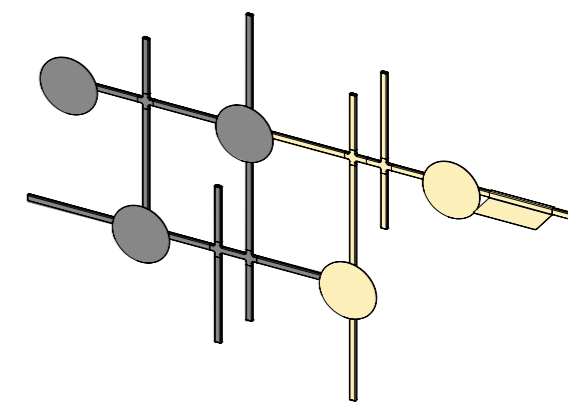
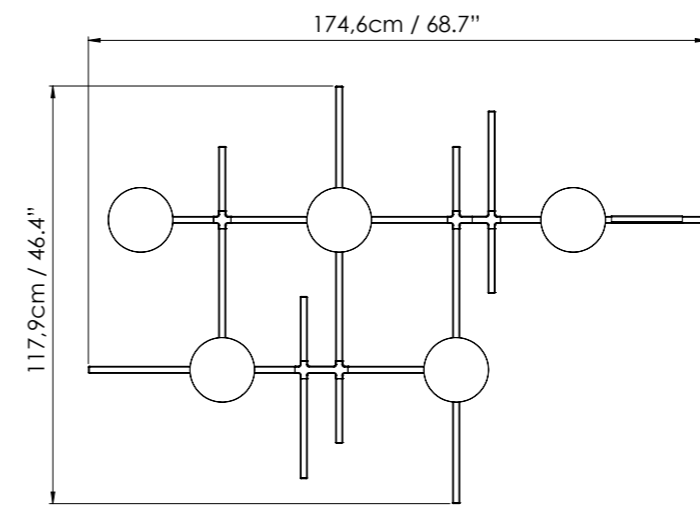
● Black (matte)

767310U	CROSSHATCH S - M	F	2 x LED 18W 3600lm 2700K CRI≥90 120V DIM PHASE CUT
767320U	CROSSHATCH S - L	F	3 x LED 18W 5400lm 2700K CRI≥90 120V DIM PHASE CUT





EXAMPLE: M + L



Crosshatch System

by
Brad Ascalon

**Decorative
lighting**

Crosshatch System nos permite ir más allá y crear sistemas totalmente personalizados combinando tubos, fuentes de luz y crucetas simples o dobles a nuestro antojo.

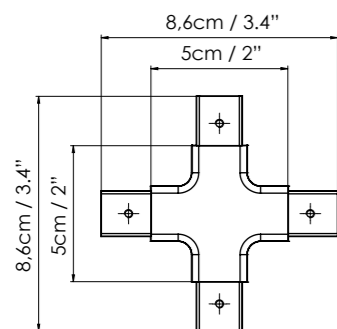
Crosshatch System puede crecer tanto horizontal como verticalmente y los tamaños son totalmente personalizables. Además, podemos crear ángulos para pasar de un sistema de pared a un sistema de suspensión o techo y ajustar así el sistema a las necesidades de nuestro espacio.

Crosshatch System allows us to go further and create fully customized systems by combining tubes, light sources, and single or double crosses according to our preferences.

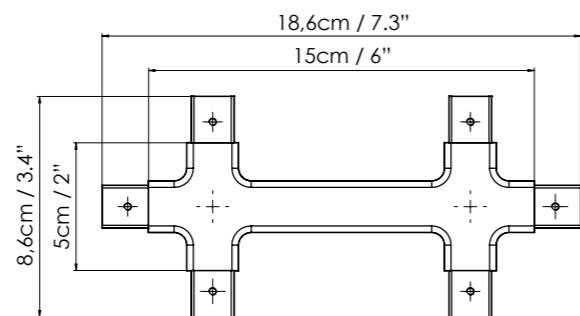
Crosshatch System can expand both horizontally and vertically, and the sizes are completely customizable. Additionally, we can create angles to transition from a wall system to a suspension or ceiling system, adjusting the system to fit the needs of our space.



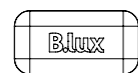
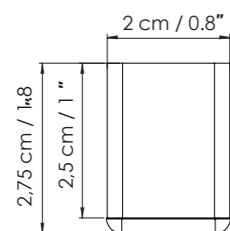
SINGLE CROSS



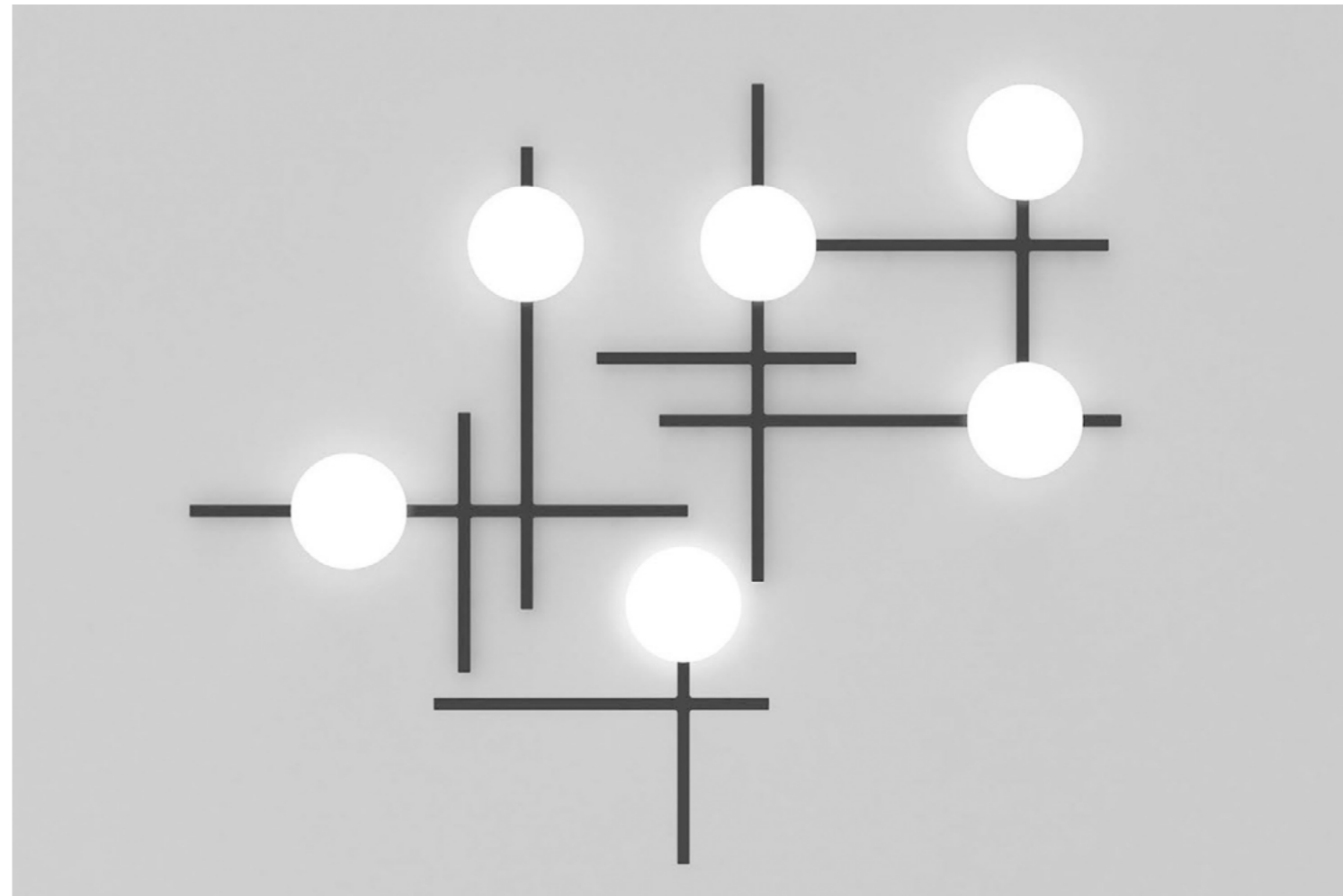
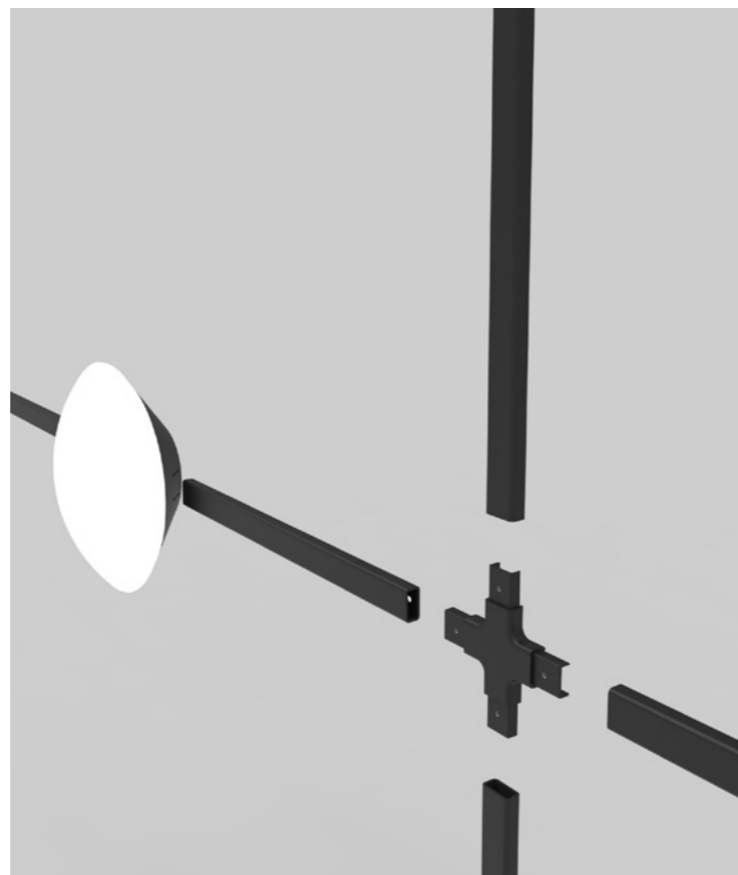
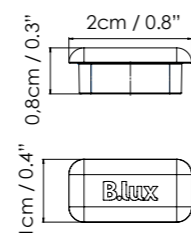
DOUBLE CROSS



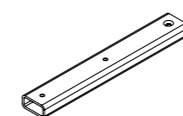
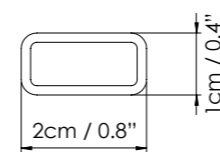
TUBE END CROSS



END CAP

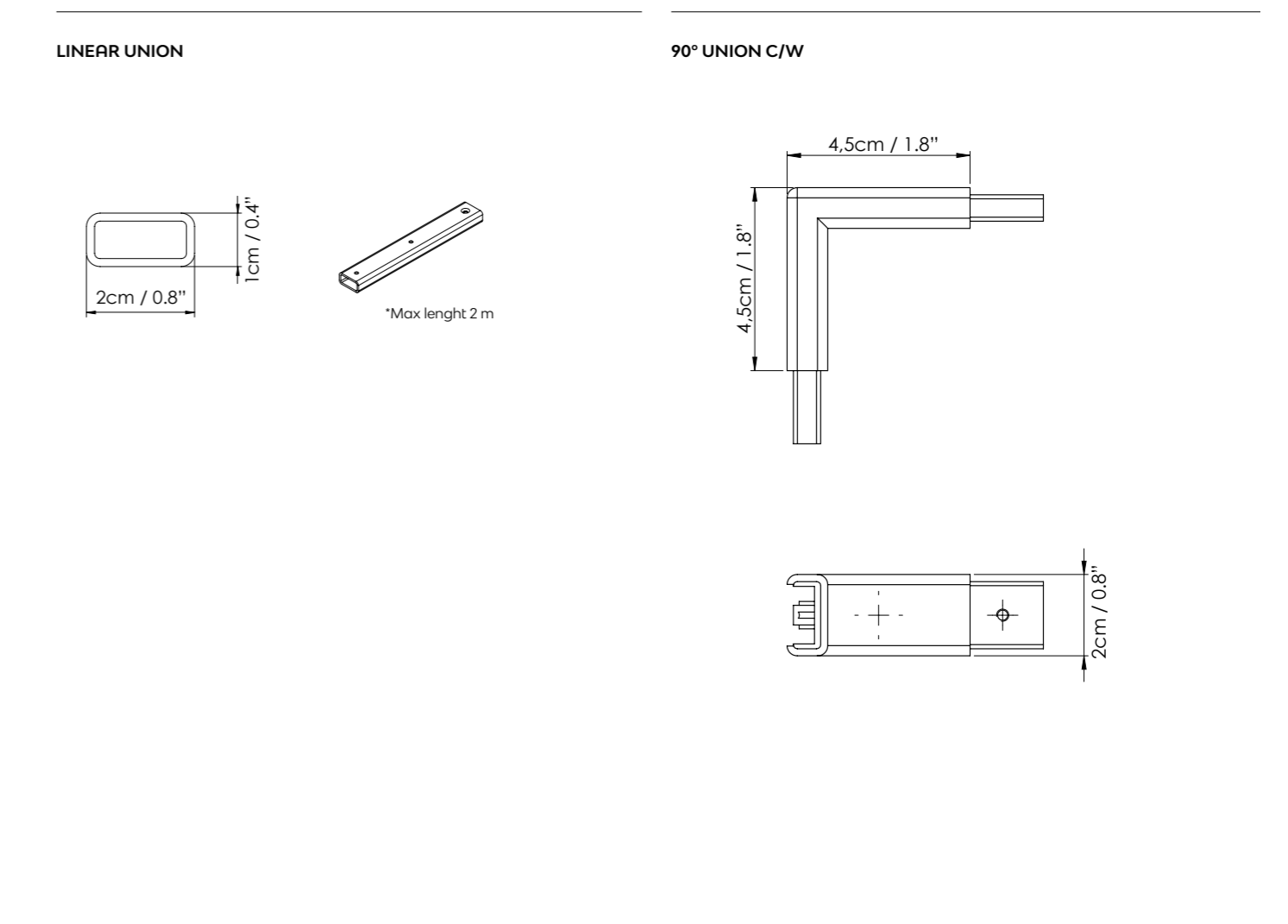
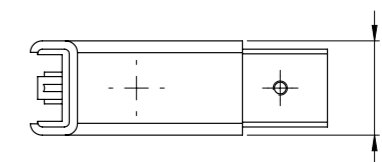
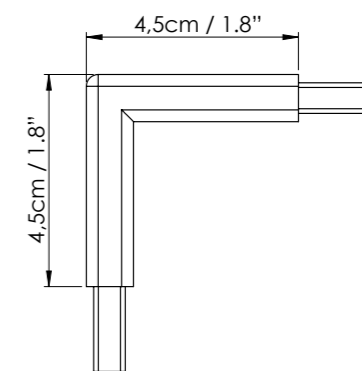


LINEAR UNION



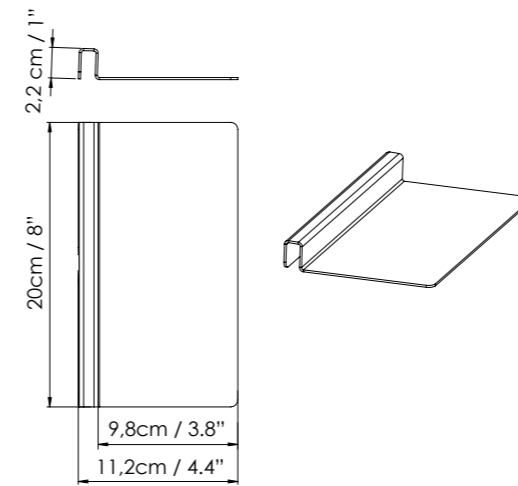
*Max lenght 2 m

90° UNION C/W

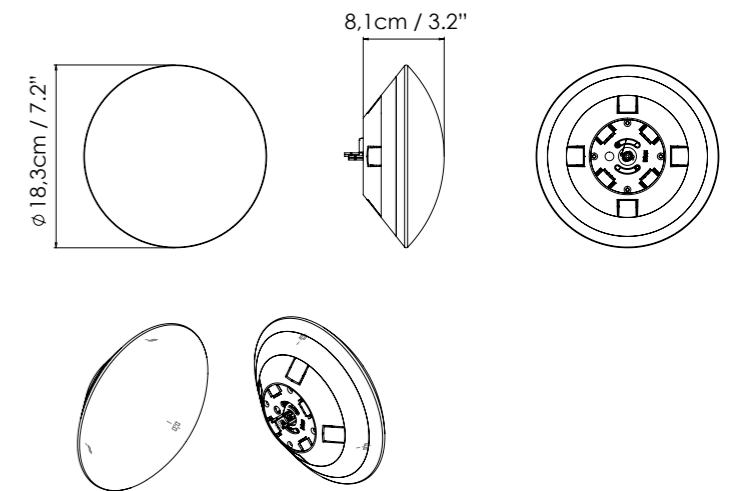




SHELF



LIGHT SOURCE



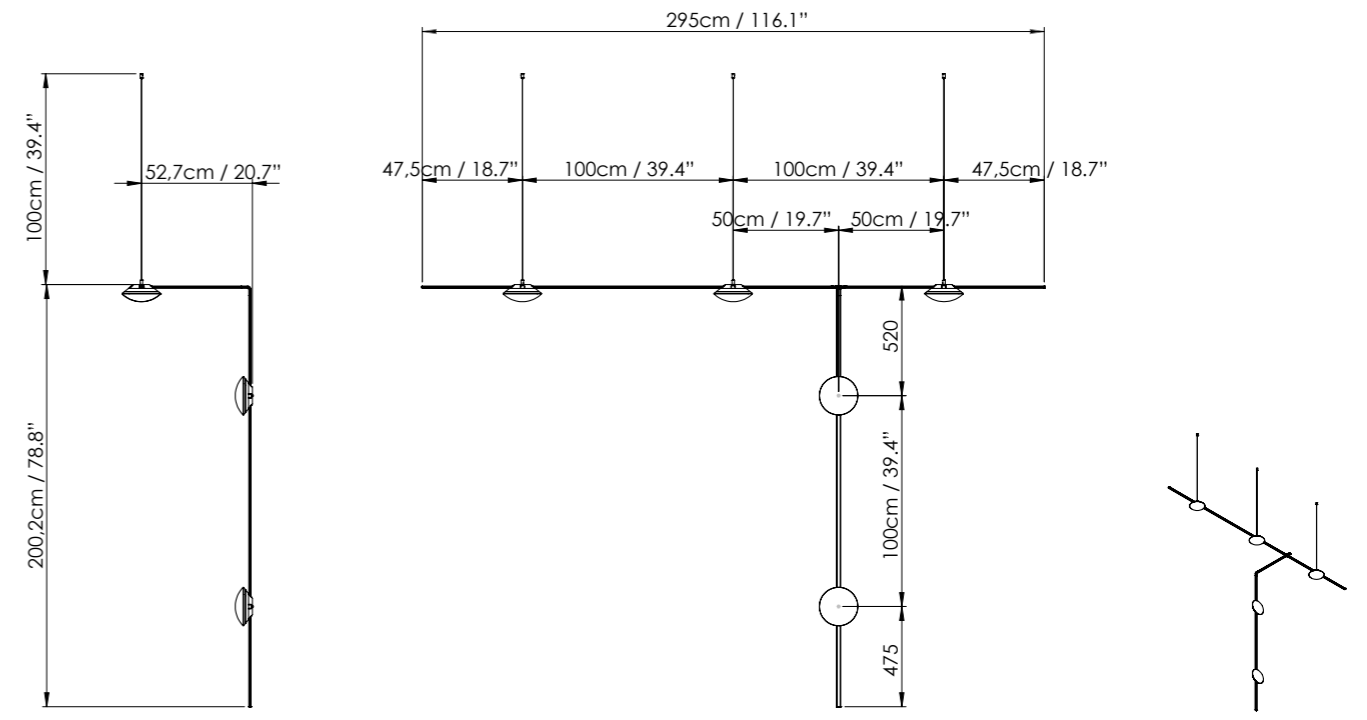
● Black (matte)

767960U	CROSSHATCH SYSTEM LIGHT SOURCE	F	LED 18W 1800lm 2700K CRI≥90 120V DIM PHASE CUT
767910U	CROSSHATCH SYSTEM SINGLE SUSPENSION		
767504U	CROSSHATCH SYSTEM TUBE END CROSS		
767920U	CROSSHATCH SYSTEM END CAP		
767930U	CROSSHATCH SYSTEM SINGLE CROSS		
767940U	CROSSHATCH SYSTEM DOUBLE CROSS		
767950U	CROSSHATCH SYSTEM 90° UNION C/W		
767900U	CROSSHATCH SYSTEM CURRENT SUPPLY		
767970U	CROSSHATCH SYSTEM LINEAR UNION		
767980U	CROSSHATCH SYSTEM SHELF		



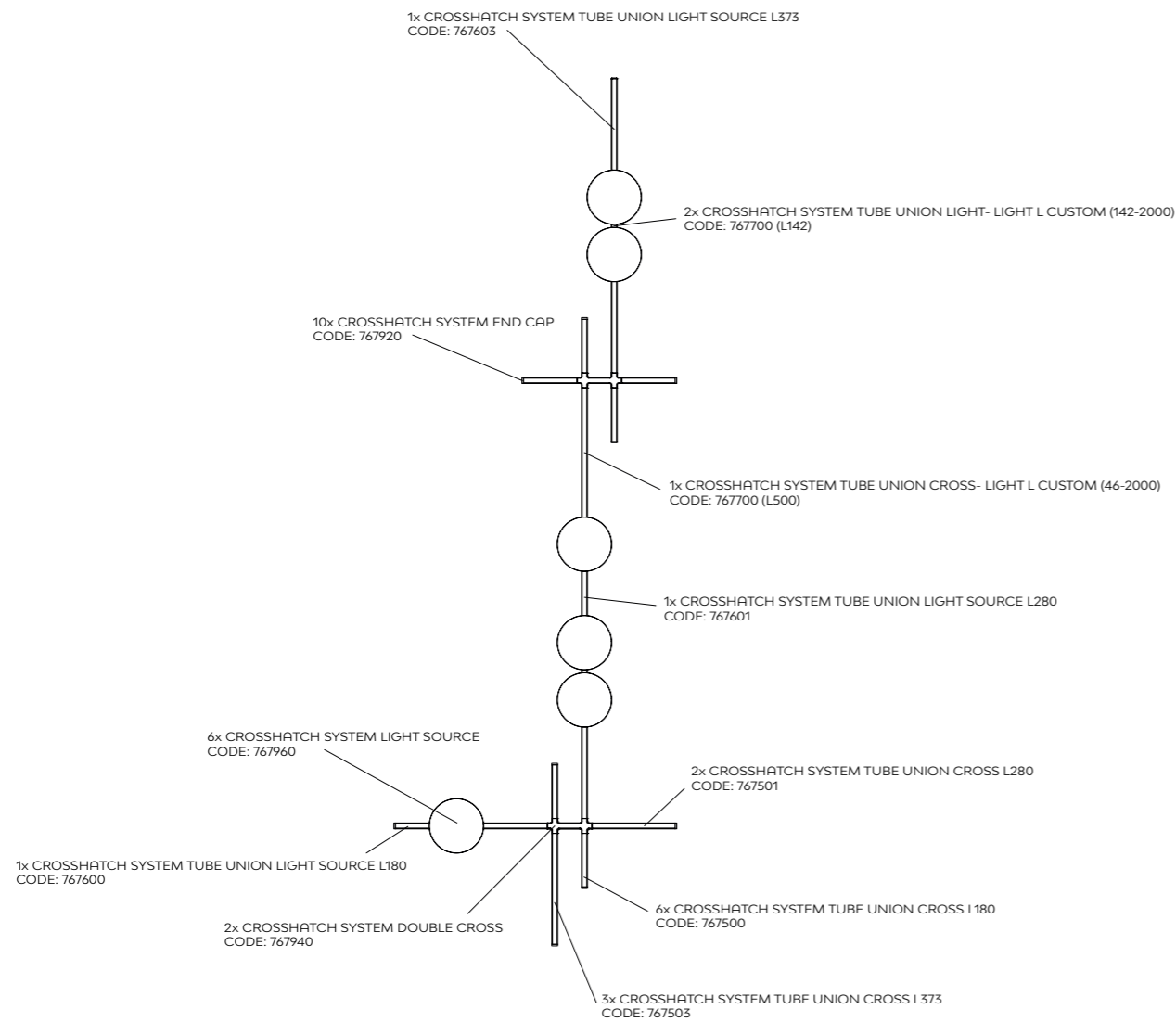


EXAMPLE

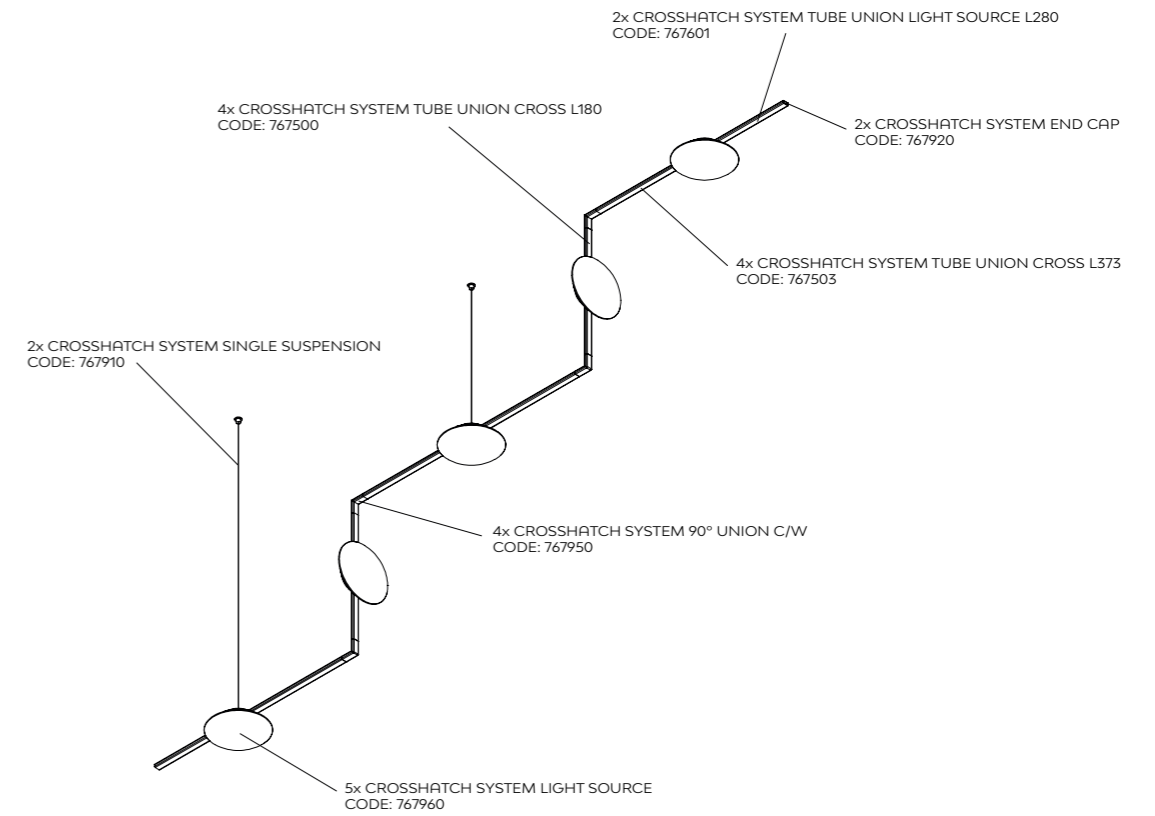




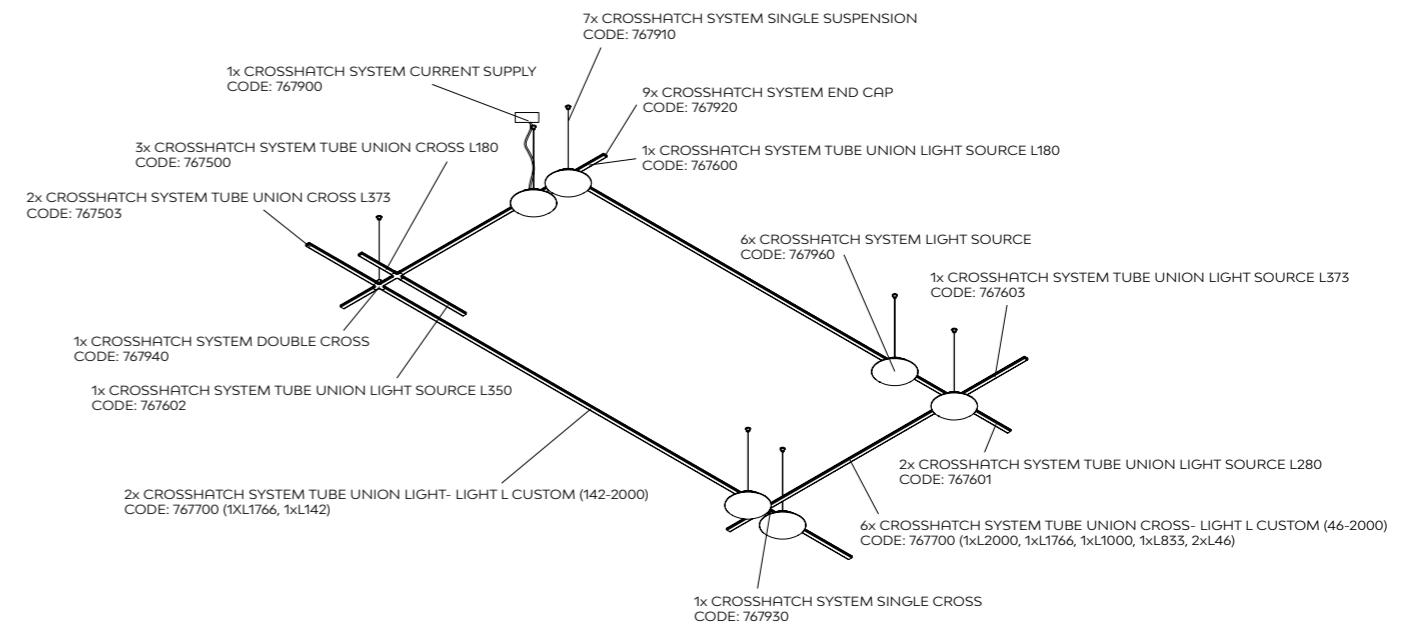
EXAMPLE 2



EXAMPLE 3



EXAMPLE 4



Kupetz

by
E27, Tim Brauns

**Decorative
lighting**

Kupetz es un sistema de iluminación tridimensional compuesto por diferentes fuentes de luz y uniones, cuya composición permite adecuar la iluminación a las necesidades de cada espacio.

Kupetz is a three-dimensional lighting system made using different lighting sources and linear unions. Its arrangement allows us to adjust the lighting to each space.

Se trata de un sistema tubular metálico cuya estructura va siempre en acabado negro mate, que permite combinar cinco tipos de fuente de luz: dos esferas de vidrio blanco opal (100 Glass y 150 Glass), otras dos esferas de vidrio ahumado (100 Glass y 150 Glass) y un proyector con difusor opal (Diffuser). El proyector y la base de las esferas de vidrio están disponibles en tres acabados: negro, cobre, y oro.

It is a metal tubular system whose structure comes in a matte black finish where you can combine five types of light sources: two opal white glass spheres (100 Glass and 150 Glass), two more smoked glass spheres (100 Glass and 150 Glass) and a spotlight with opal diffuser (Diffuser). The spotlight and the base of the glass spheres come in three different finishes: black, copper and gold.

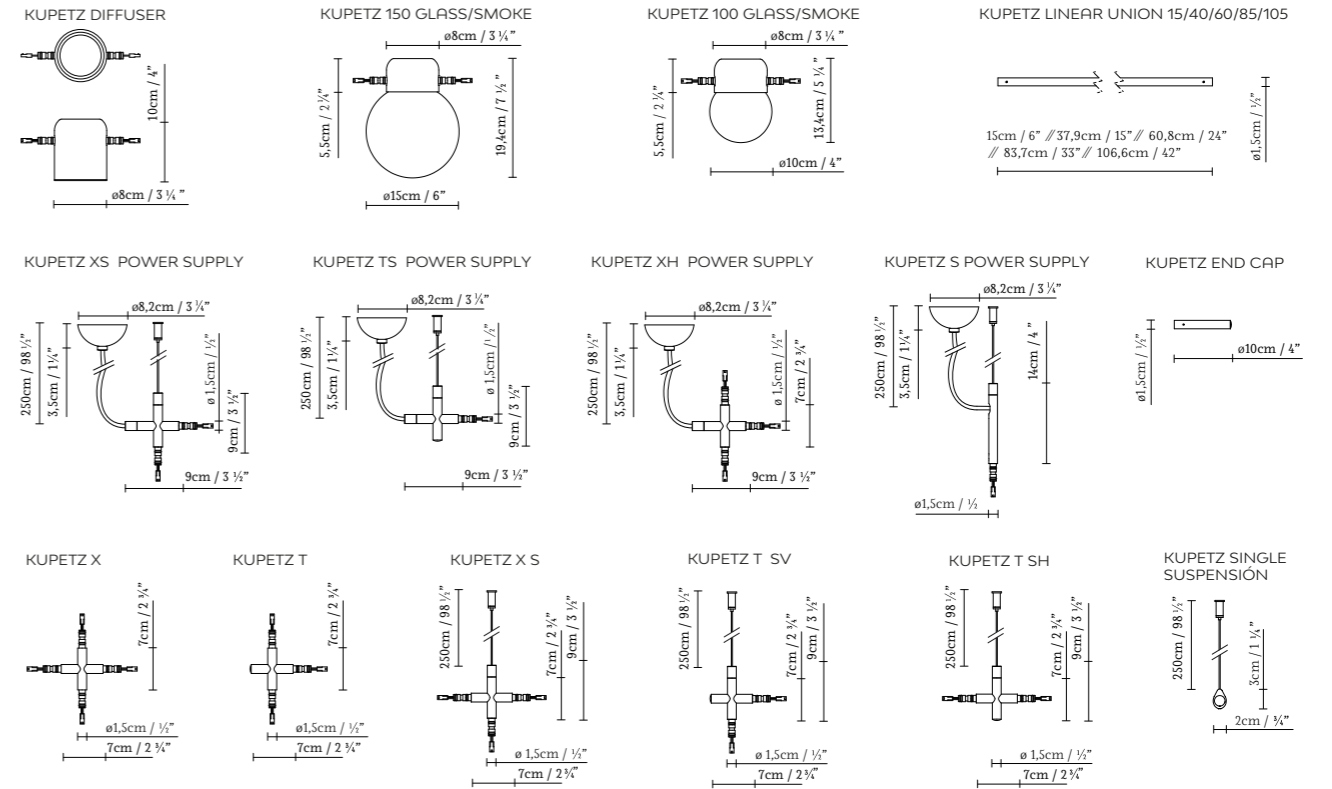
El sistema lleva una sola acometida eléctrica y se suspende mediante cables de acero. Es posible realizar composiciones múltiples con una gran cantidad de elementos.

The system operates on a single electrical connection and is suspended by steel cables, allowing for multiple compositions with a large number of elements.



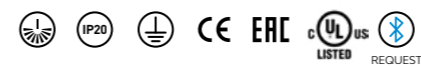


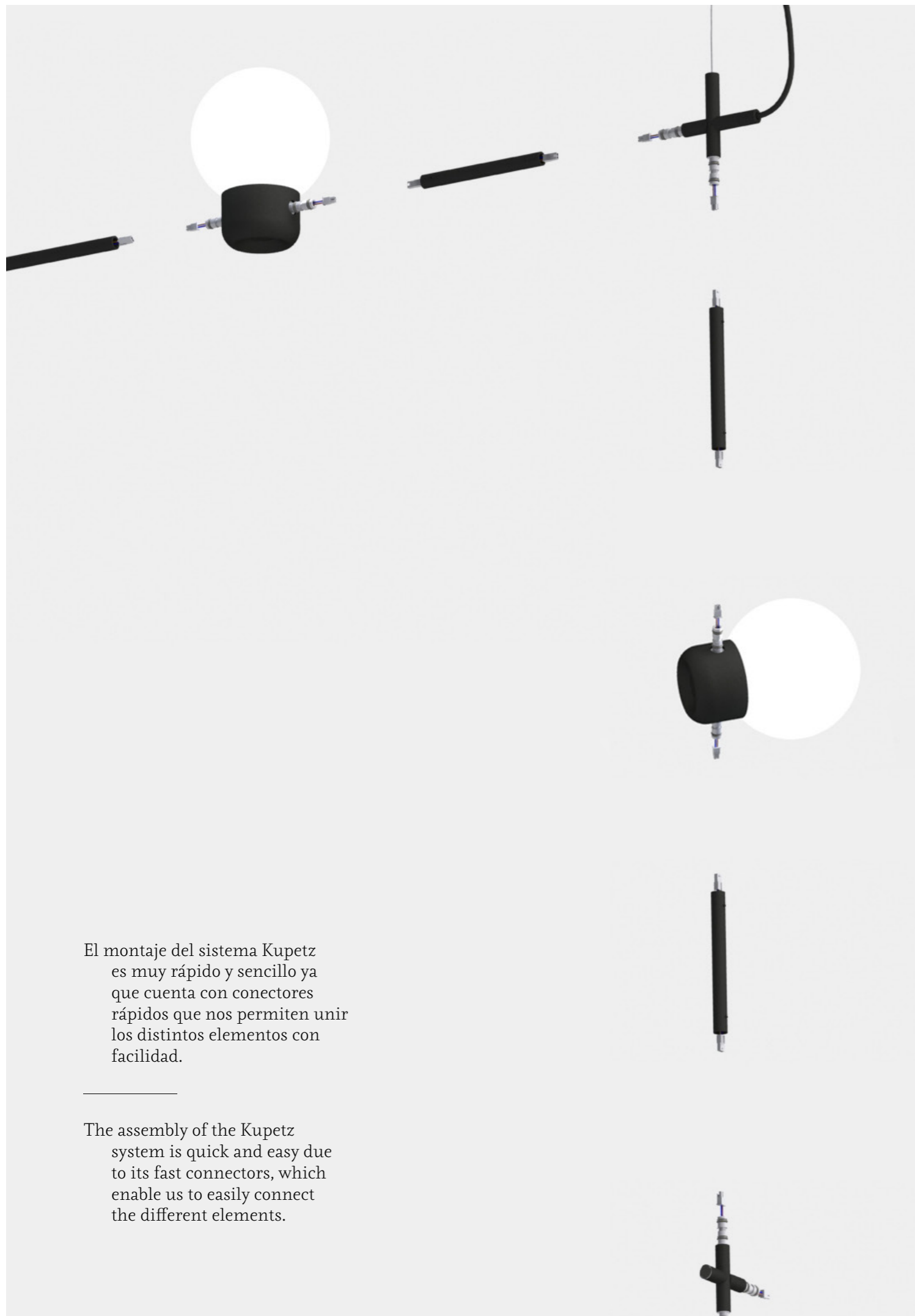
KUPETZ COMPONENTS



● Black (matte) ● Gold (satin) ● Copper (satin)

760300U	KUPETZ 100 GLASS BLACK		
760301U	KUPETZ 100 GLASS GOLD	G	LED 8W 560lm 2700K CRI \geq 90 120V DIM PHASE CUT
760302U	KUPETZ 100 GLASS COPPER		
760310U	KUPETZ 150 GLASS BLACK		
760311U	KUPETZ 150 GLASS GOLD	G	LED 8W 560lm 2700K CRI \geq 90 120V DIM PHASE CUT
760312U	KUPETZ 150 GLASS COPPER		
760303U	KUPETZ 100 SMOKE GLASS BLACK		
760304U	KUPETZ 100 SMOKE GLASS GOLD	G	LED 8W 560lm 2700K CRI \geq 90 120V DIM PHASE CUT
760305U	KUPETZ 100 SMOKE GLASS COPPER		
760313U	KUPETZ 150 SMOKE GLASS BLACK		
760314U	KUPETZ 150 SMOKE GLASS GOLD	G	LED 8W 560lm 2700K CRI \geq 90 120V DIM PHASE CUT
760315U	KUPETZ 150 SMOKE GLASS COPPER		
760330U	KUPETZ DIFFUSER BLACK		
760331U	KUPETZ DIFFUSER GOLD	G	LED 8W 560lm 2700K CRI \geq 90 120V DIM PHASE CUT
760332U	KUPETZ DIFFUSER COPPER		
760911U	KUPETZ T		
760900U	KUPETZ T SH		
760910U	KUPETZ T SV		
760905U	KUPETZ TS POWER SUPPLY		
760921U	KUPETZ X		
760920U	KUPETZ XS		
760925U	KUPETZ XS POWER SUPPLY		
760926U	KUPETZ XH POWER SUPPLY		
760980U	KUPETZ S POWER SUPPLY		
760915U	KUPETZ SINGLE SUSPENSION		
760950U	KUPETZ LINEAR UNION 15		
760951U	KUPETZ LINEAR UNION 40		
760952U	KUPETZ LINEAR UNION 60		
760953U	KUPETZ LINEAR UNION 85		
760954U	KUPETZ LINEAR UNION 105		
760970U	KUPETZ END CAP		

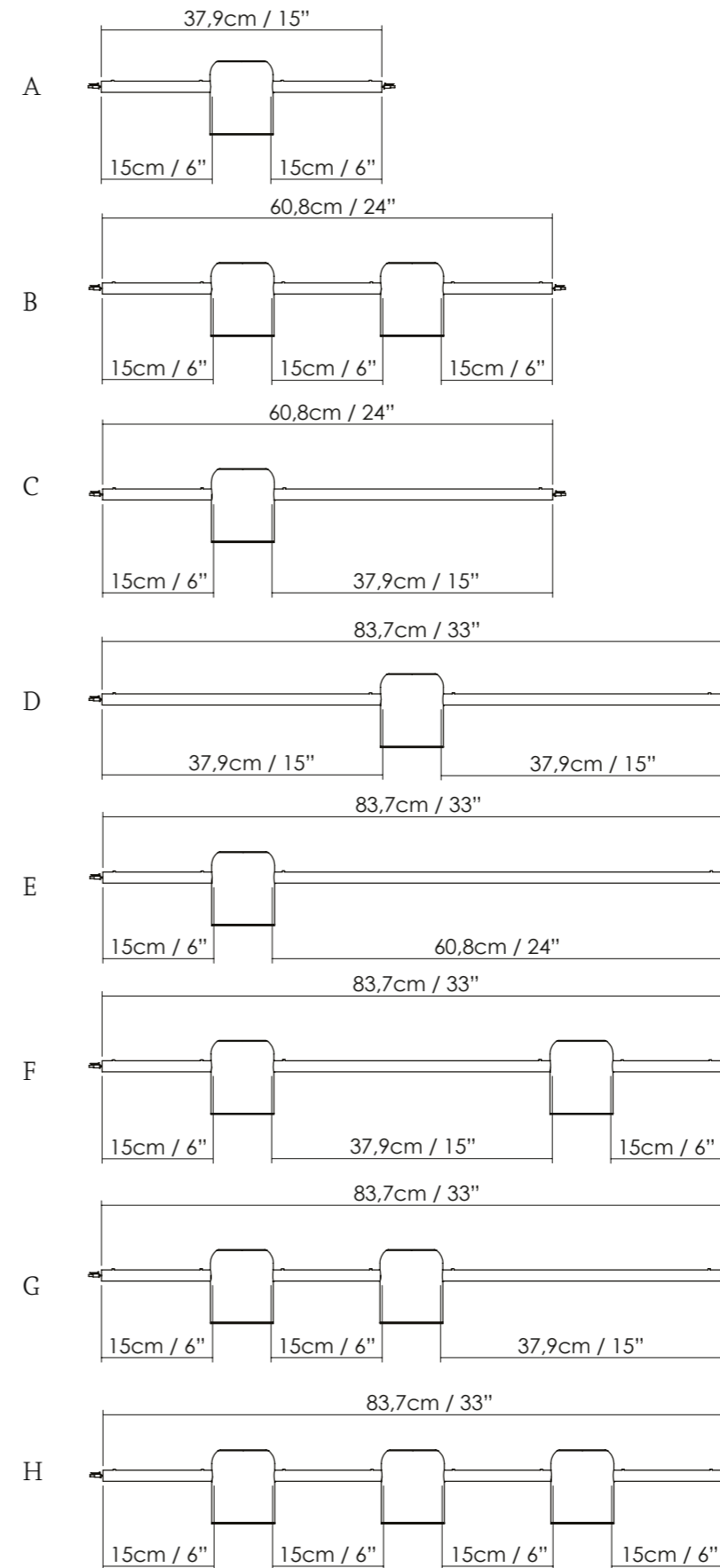




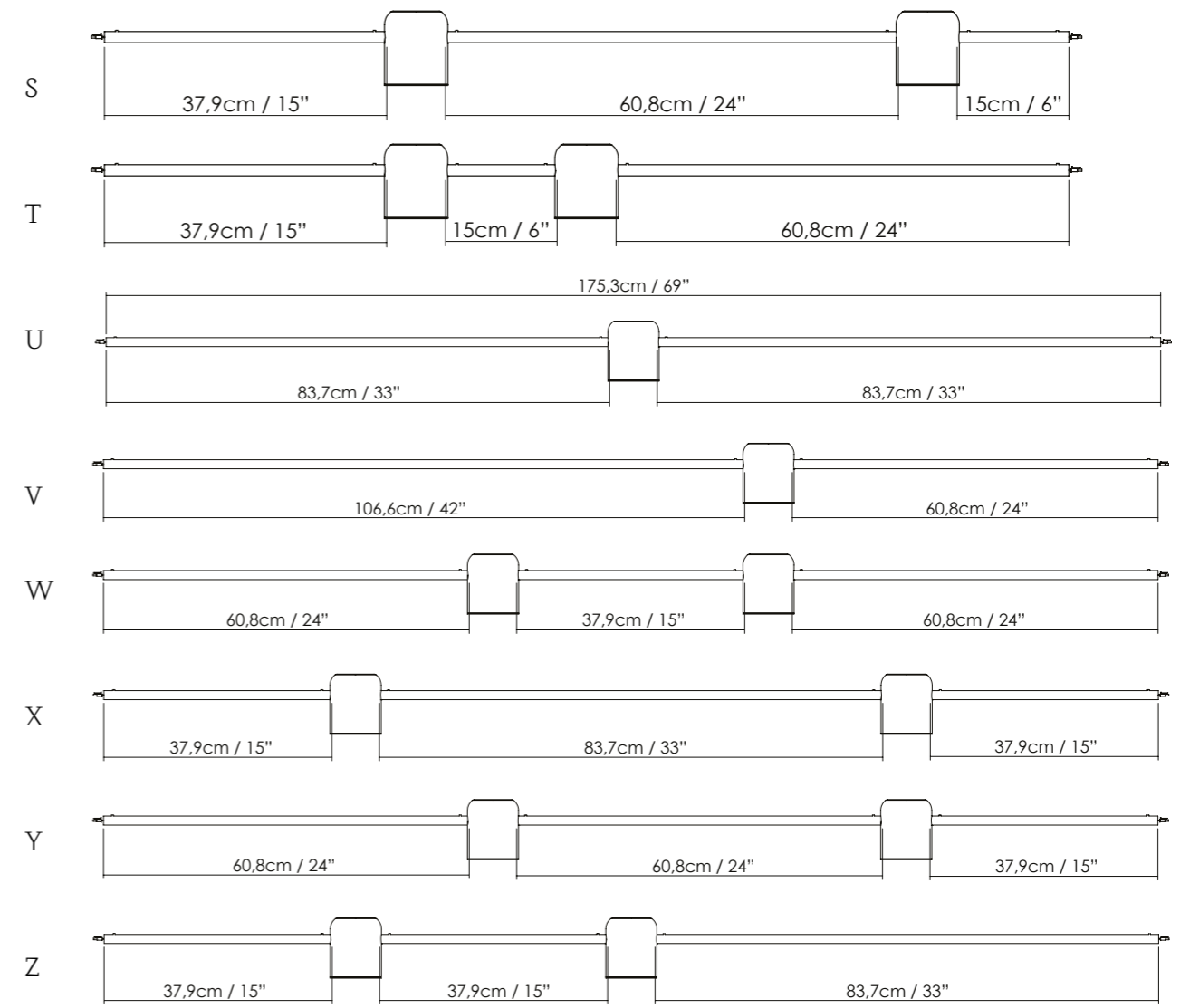
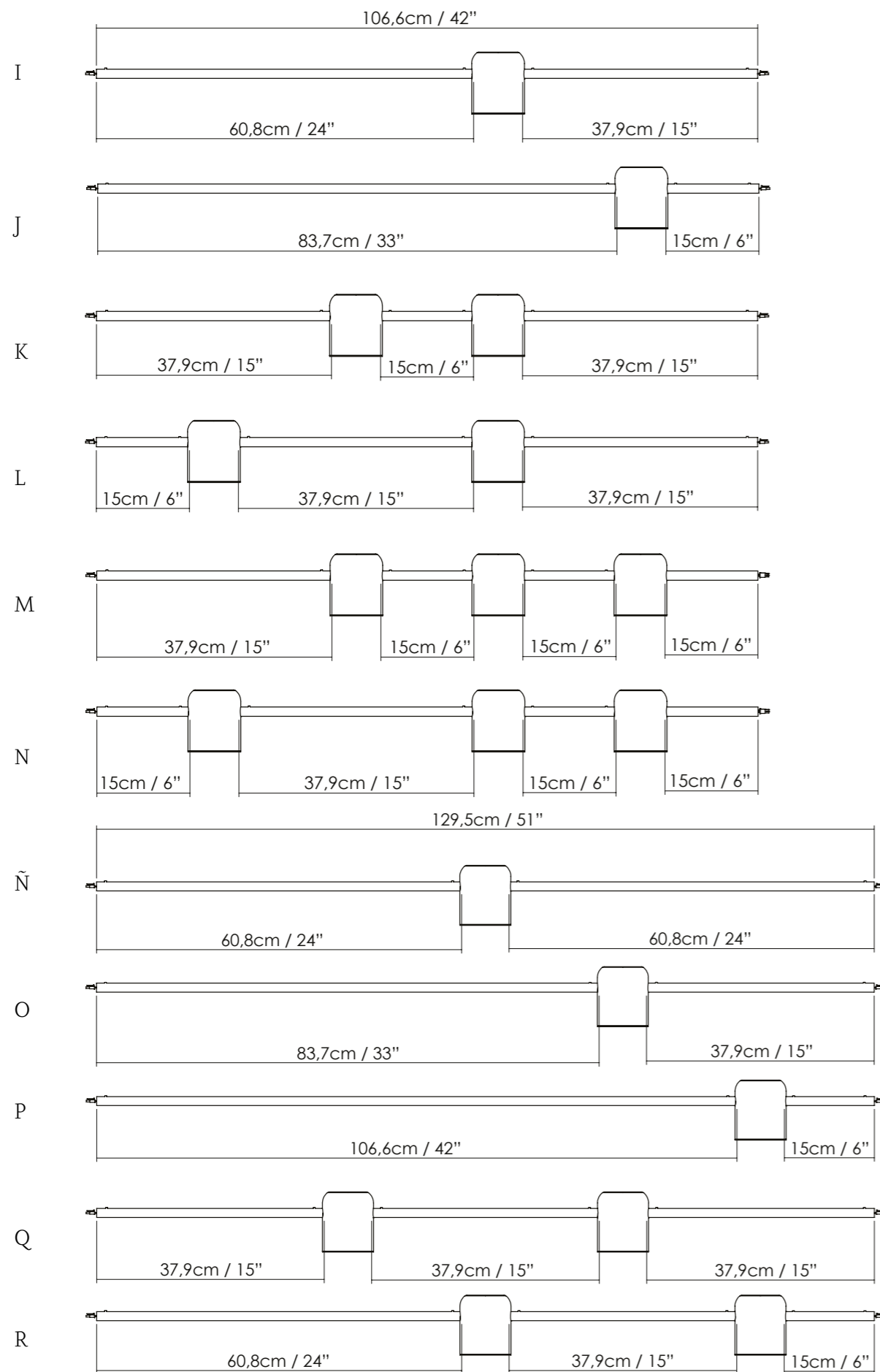
El montaje del sistema Kupetz es muy rápido y sencillo ya que cuenta con conectores rápidos que nos permiten unir los distintos elementos con facilidad.

The assembly of the Kupetz system is quick and easy due to its fast connectors, which enable us to easily connect the different elements.

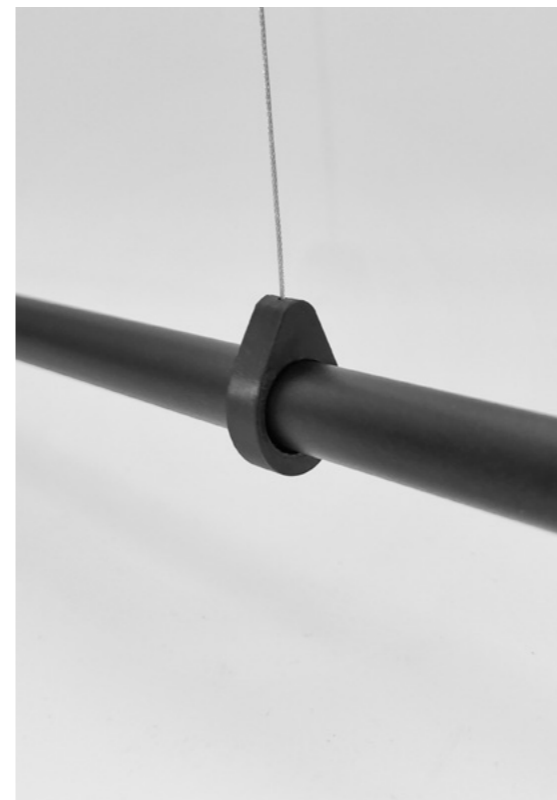
TYPES OF COMPOSITIONS



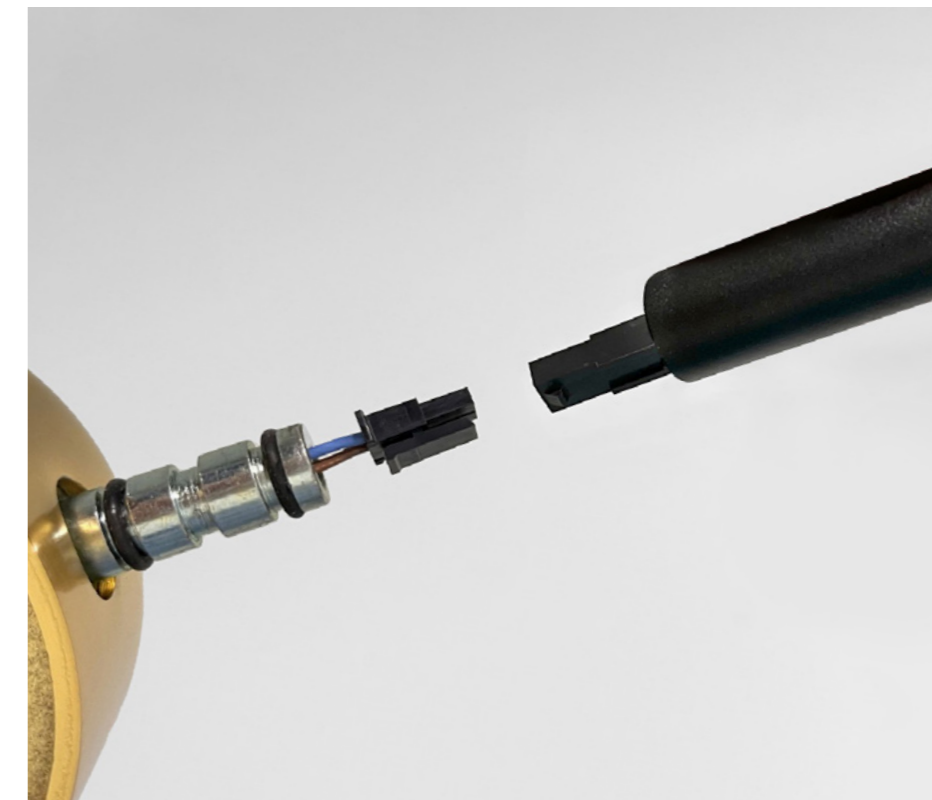
TYPES OF COMPOSITIONS



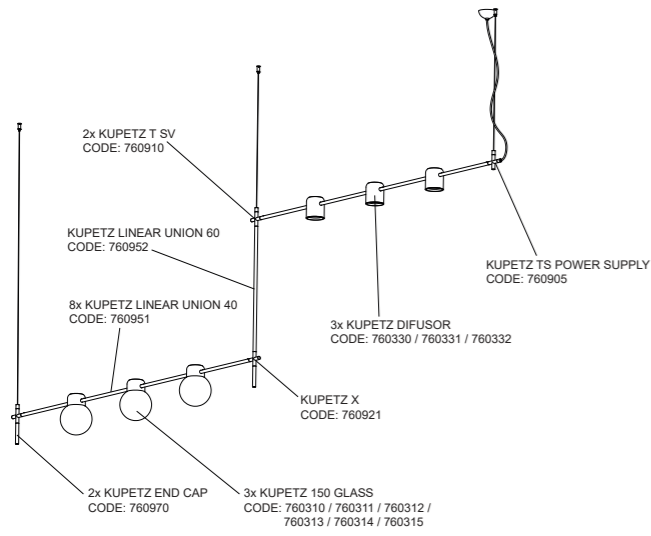
Kupetz Single Suspension



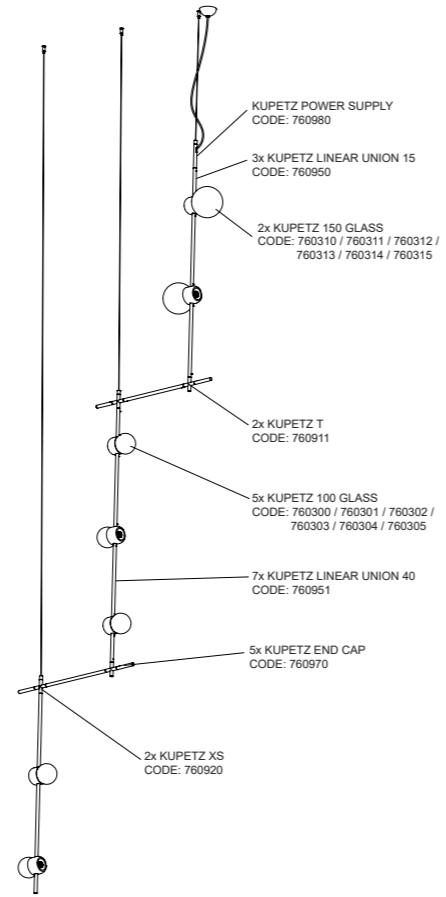
Kupetz Fast Connectors



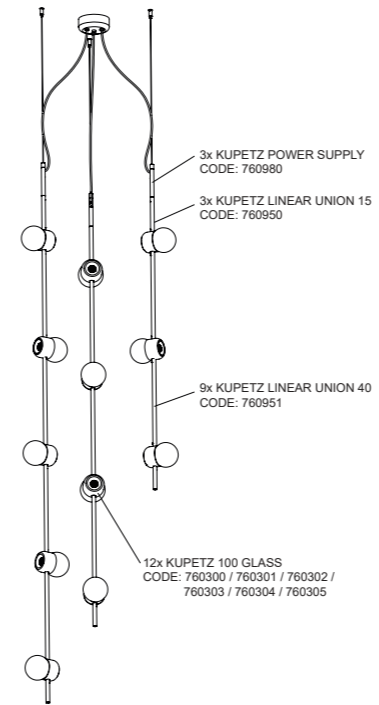
EXAMPLE 1



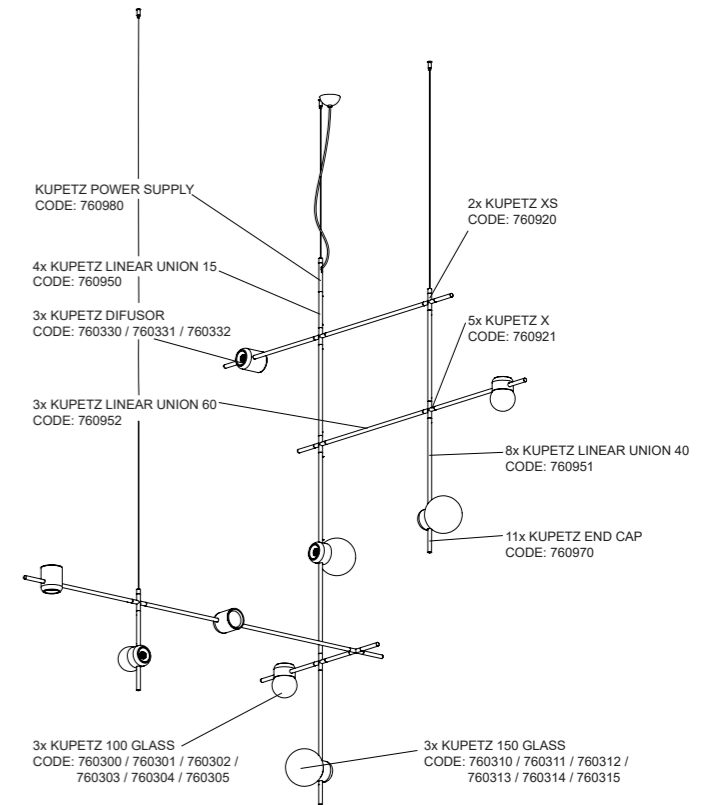
EXAMPLE 2



EXAMPLE 3

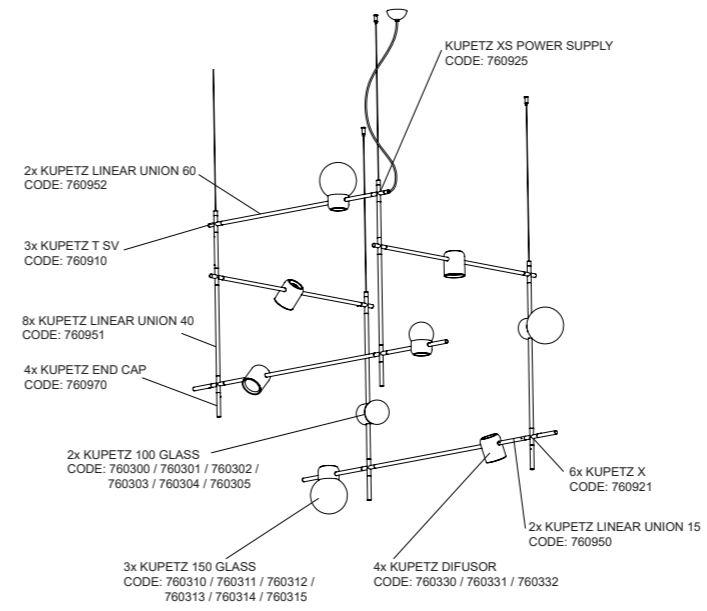


EXAMPLE 4

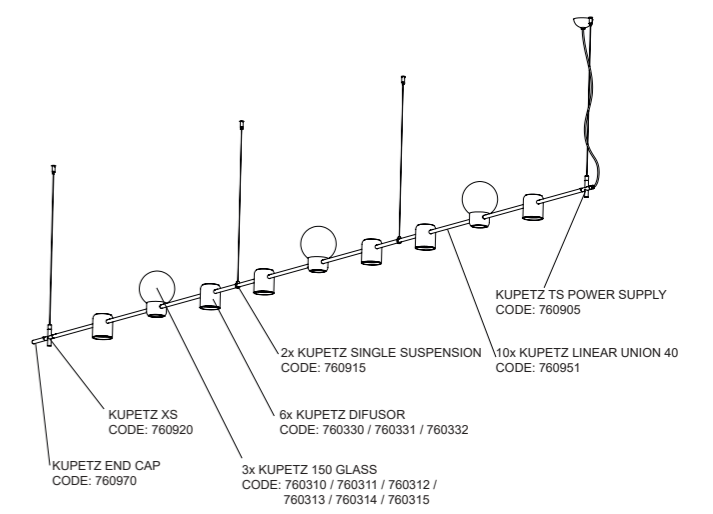




EXAMPLE 5

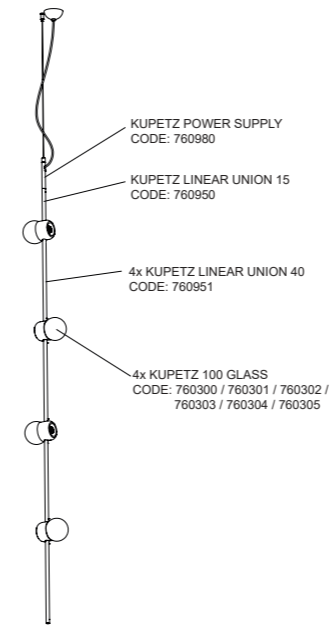


EXAMPLE 6

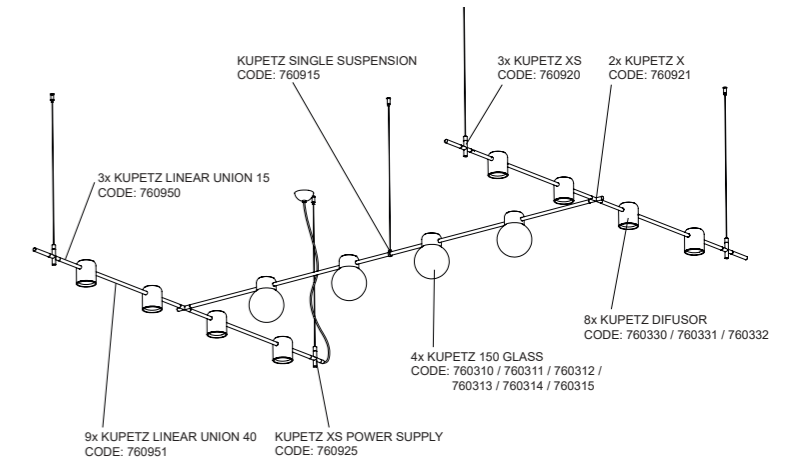




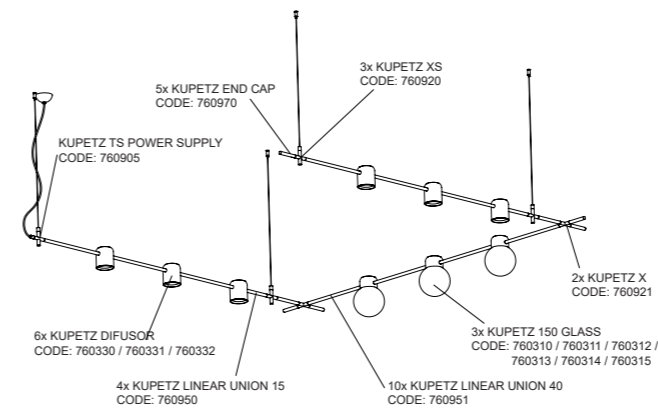
EXAMPLE 7



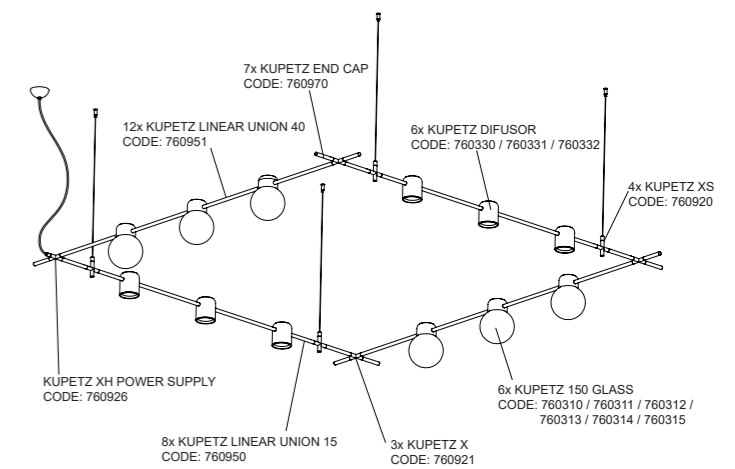
EXAMPLE 8



EXAMPLE 9



EXAMPLE 10



Ring

by
ILMIODESIGN

**Decorative
lighting**

The Ring collection is available in table, floor, wall, and suspension versions. The wall version can be single or double, and the suspension version is available in individual, double with different lengths (110-130-150), or multiple format with six elements. All versions incorporate two glasses except for the wall version, which has only one.

Ring is manufactured in white, black, and brass finishes. The brass version combines the structure in black finish. As its own name suggests, the Ring collection starts from a metal ring with a diameter of 25 centimeters that houses two E12 lamps with a 15 centimeter glass diffuser arranged asymmetrically inside. This generates a feeling of emptiness and visual lightness. The high diffusion capacity of the glass ensures excellent light quality and great visual comfort.

The glass can be customized including numbers (Ring W Numbers), allowing us to use it as signage lighting.

La colección Ring está disponible en versión de sobremesa, pie, pared y suspensión. La versión de pared puede ser tanto individual como doble y la de suspensión está disponible en formato individual, doble con diferentes longitudes (110-130-150) o múltiple de seis elementos. Todas las versiones incorporan dos vidrios salvo la versión a pared, que solo tiene uno.

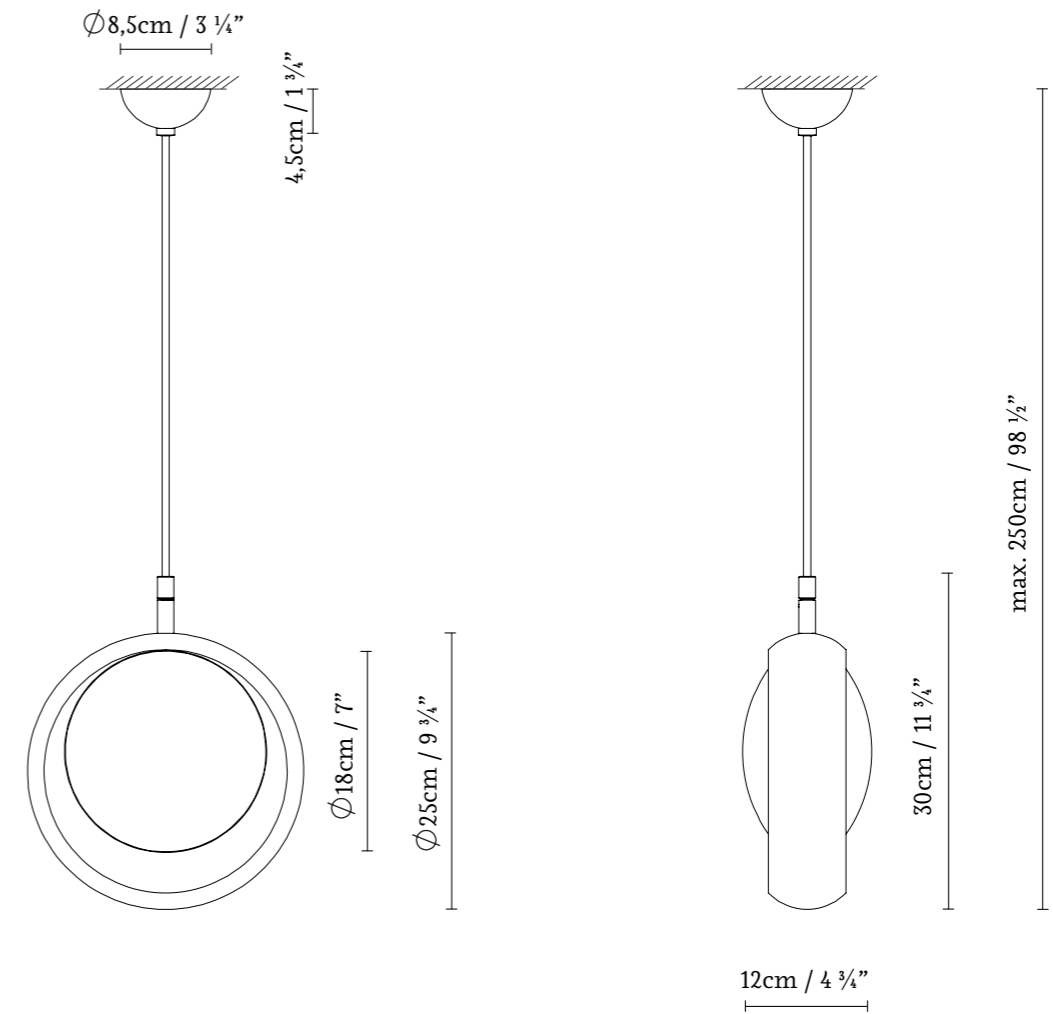
Ring se fabrica en los acabados blanco, negro y latón. La versión en latón combina la estructura en negro. Como su propio nombre indica, la colección Ring parte de un anillo metálico de 25 centímetros de diámetro que alberga en su interior dos lámparas E12 con un difusor de vidrio de 15 centímetros dispuesto asimétricamente. Esto genera una sensación de vacío y ligereza visual. La alta capacidad de difusión del vidrio garantiza una excelente calidad de luz y un gran confort visual.

El vidrio puede personalizarse con números (Ring W Numbers), empleándolo como iluminación de señalética..





RING S1



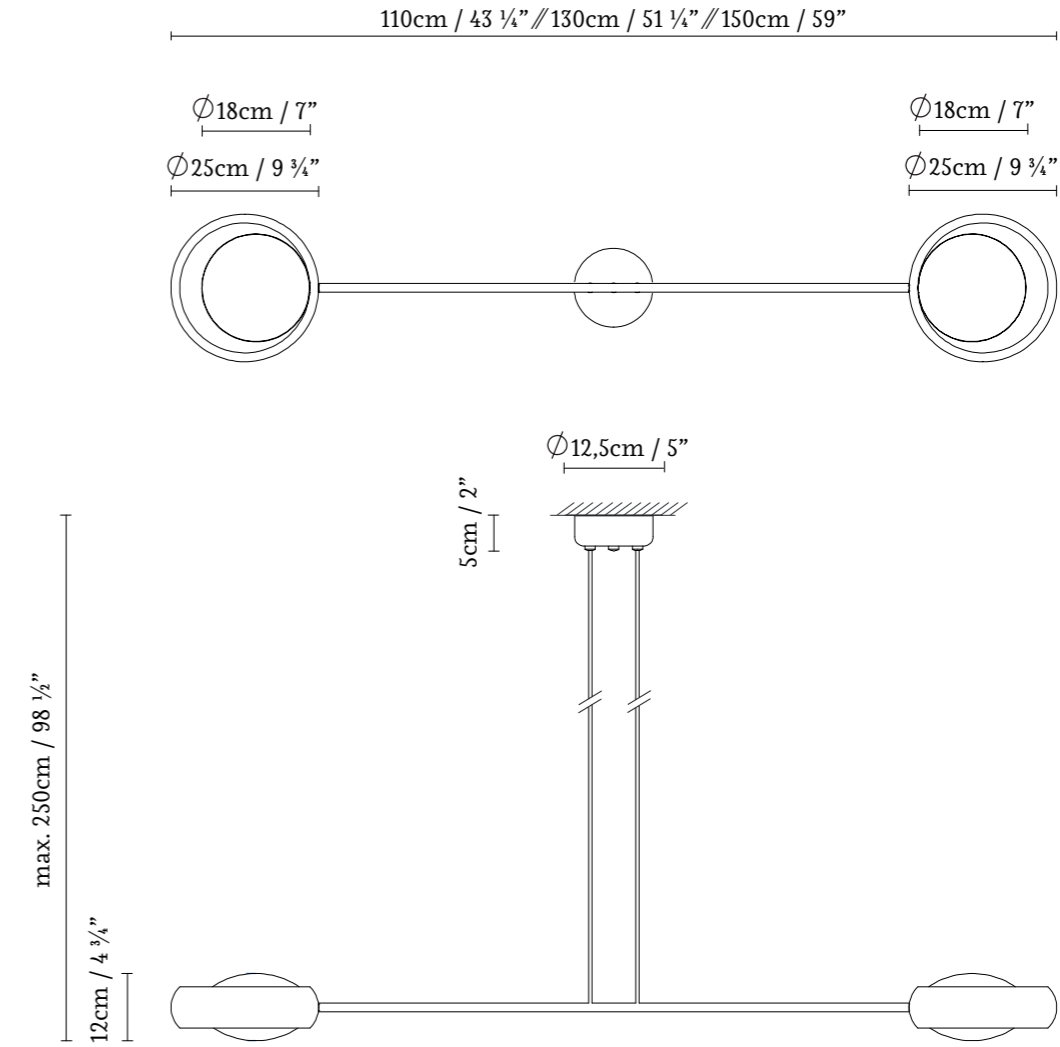
● Black (matte) ○ White (matte) ● Brass (matte) ● Custom colors under request

CODE	LAMP	LIGHT SOURCE
765300U	RING S1 BLACK	LED 2x6W (E12) 120V 50-60Hz
765301U	RING S1 BRASS	Fluo. max. 2x12W (E12) 120V 50-60Hz
765302U	RING S1 WHITE	



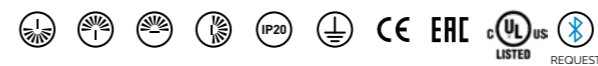


RING S2 110/130/150



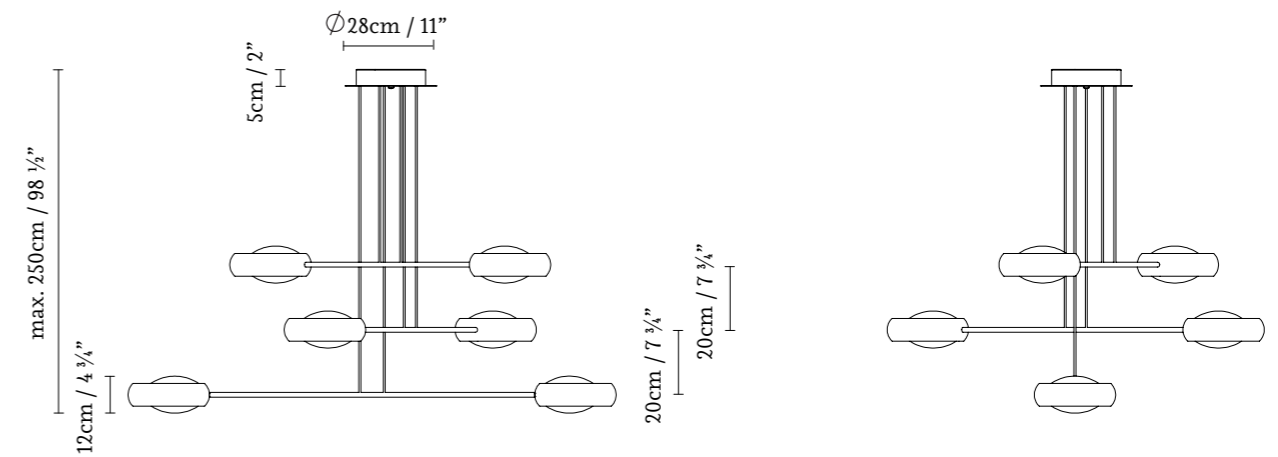
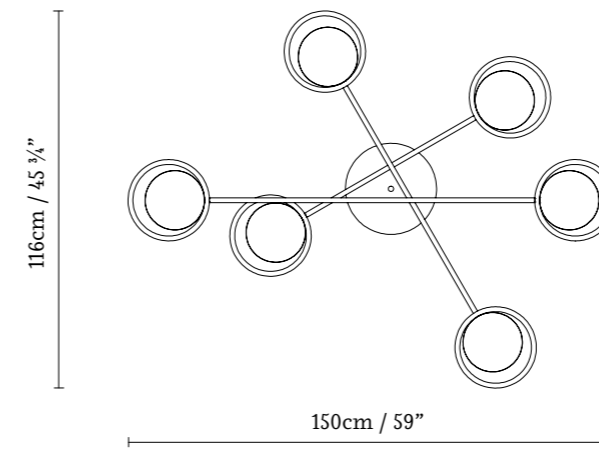
- Black (matte)
- White (matte)
- Brass (matte)
- Custom colors under request

CODE	LAMP	LIGHT SOURCE
765306U	RING S2 110 BLACK	LED 4x6W (E12) 120V 50-60Hz
765307U	RING S2 110 BRASS	Fluo. max. 4x12W (E12) 120V 50-60Hz
765308U	RING S2 110 WHITE	
765309U	RING S2 130 BLACK	LED 4x6W (E12) 120V 50-60Hz
765310U	RING S2 130 BRASS	Fluo. max. 4x12W (E12) 120V 50-60Hz
765311U	RING S2 130 WHITE	
765312U	RING S2 150 BLACK	LED 4x6W (E12) 120V 50-60Hz
765313U	RING S2 150 BRASS	Fluo. max. 4x12W (E12) 120V 50-60Hz
765314U	RING S2 150 WHITE	





RING S6



- Black (matte)
- White (matte)
- Brass (matte)
- Custom colors under request

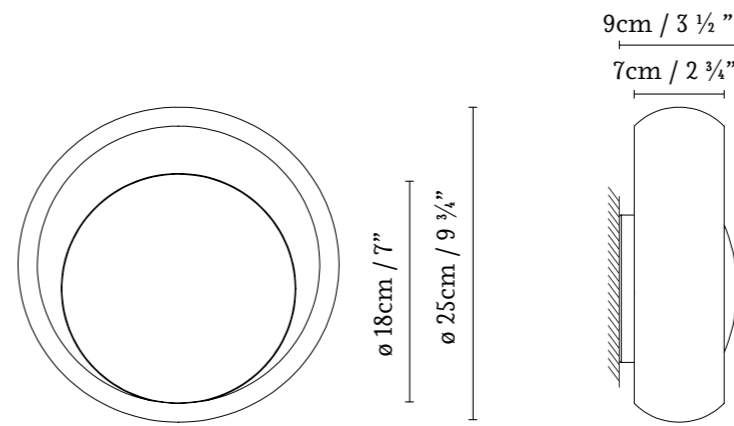
CODE	LAMP	LIGHT SOURCE
765303U	RING S6 BLACK	LED 12x6W (E12) 120V 50-60Hz
765304U	RING S6 BRASS	Fluo. max. 12x12W (E12) 120V 50-60Hz
765305U	RING S6 WHITE	





Ring W Numbers

RING W1



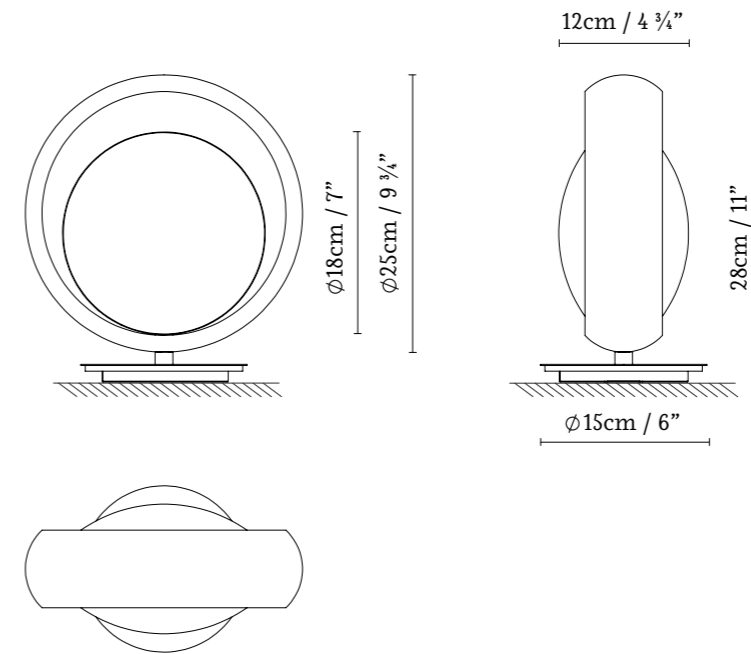
- Black (matte)
- White (matte)
- Brass (matte)
- Custom colors under request

CODE	LAMP	LIGHT SOURCE
765100U	RING W1 BLACK	
765101U	RING W1 BRASS	LED 2x6W (E12) 120V 50-60Hz
765102U	RING W1 WHITE	Fluo. max. 2x12W (E12) 120V 50-60Hz
XXXXX	RING W1 NUMBERS	





RING T



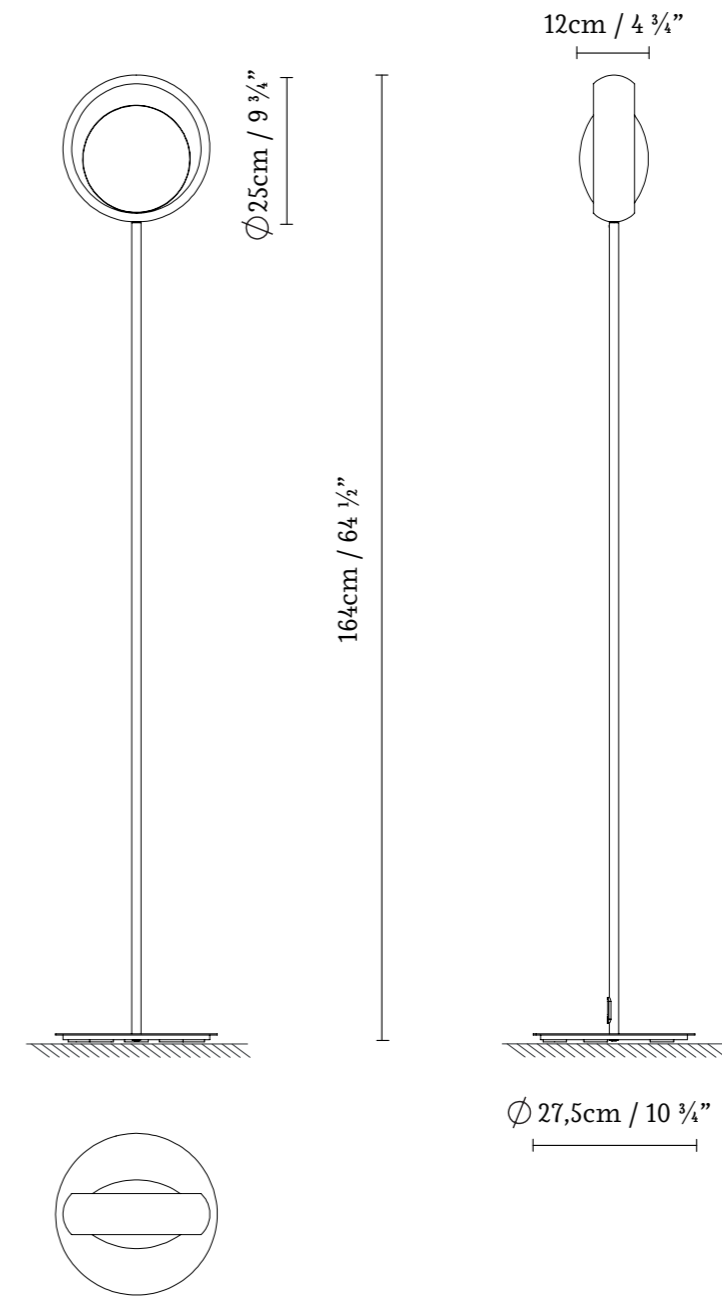
● Black (matte) ○ White (matte) ● Brass (matte) ● Custom colors under request

CODE	LAMP	LIGHT SOURCE
765000U	RING T BLACK	LED 2x6W (E12) 120V 50-60Hz
765001U	RING T BRASS	Fluo. max. 2x12W (E12) 120V 50-60Hz
765002U	RING T WHITE	





RING F



- Black (matte)
- White (matte)
- Brass (matte)
- Custom colors under request

CODE	LAMP	LIGHT SOURCE
765200U	RING F BLACK	LED 2x6W (E12) 120V 50-60Hz
765201U	RING F BRASS	Fluo. max. 2x12W (E12) 120V 50-60Hz
765202U	RING F WHITE	



B.lux

Slim Skin

by
AIA Salazar-Navarro

**Decorative
lighting**

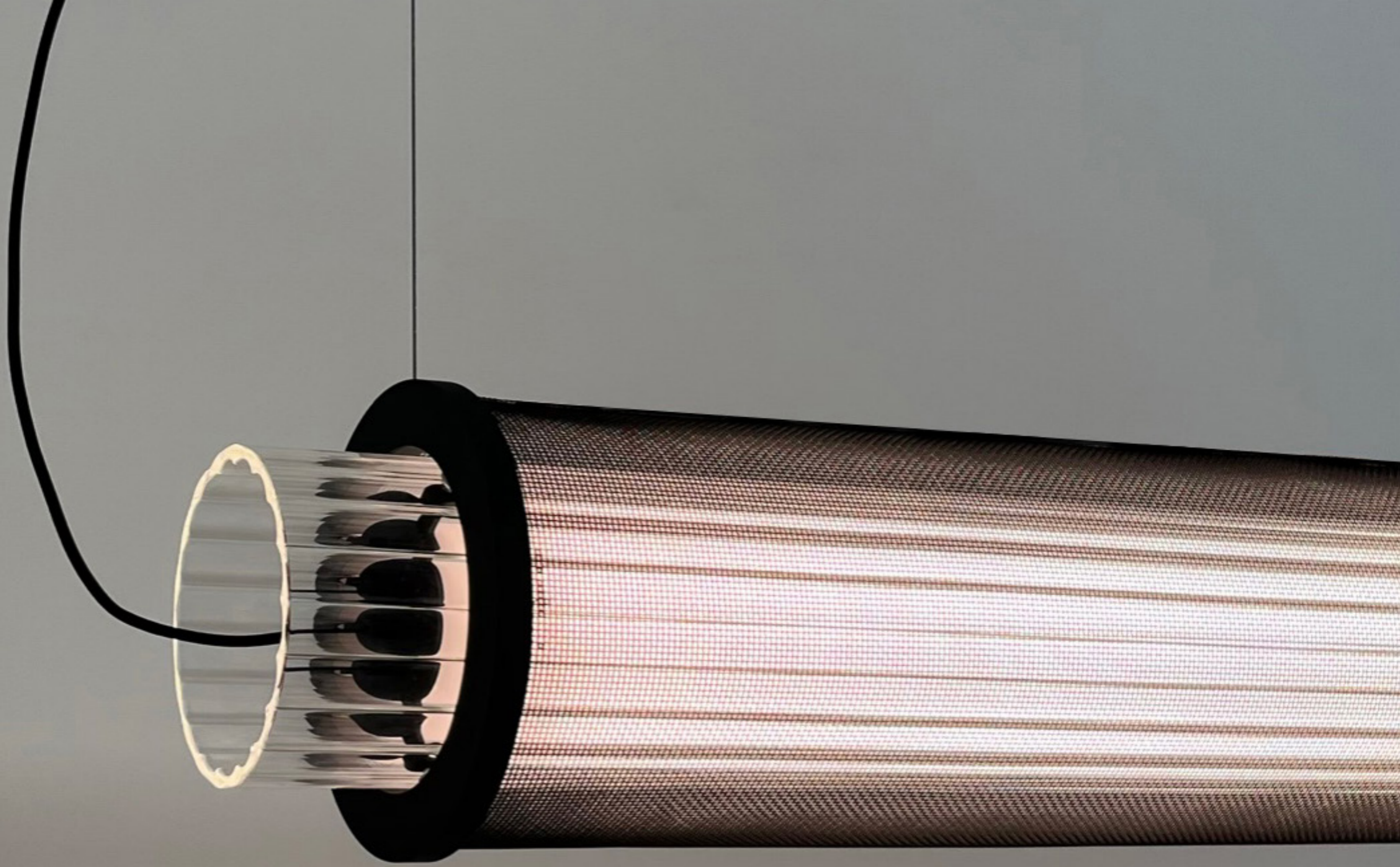
La colección Slim Skin se compone de una versión de suspensión vertical, una de suspensión horizontal y una de pared. Todas ellas tienen un diámetro de 4.7" y están disponibles en dos longitudes diferentes: 27.5" y 55".

Slim Skin se compone de un cilindro de vidrio (a elegir entre opalino o cristal transparente estriado) revestido de una malla metálica de acabado latón o negro que genera un efecto moaré, evitando así cualquier deslumbramiento y transmitiendo un gran confort visual.

The Slim Skin collection consists of a vertical suspension, a horizontal suspension, and a wall version. All of them have a diameter of 4.7" and are available in two different lengths: 27.5" and 55".

Slim Skin is composed of a glass cylinder (available in opal white or ribbed clear glass) coated with a metal mesh in brass or black finish. The metal mesh creates a moiré effect which avoids any glare and provides great visual comfort.



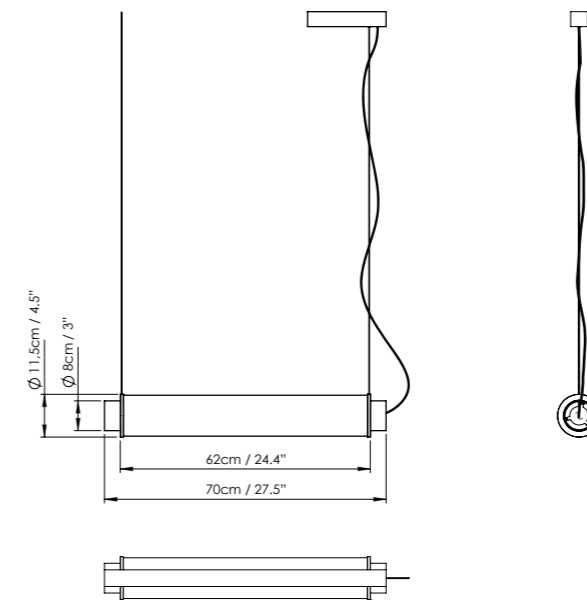


Un efecto muaré fino y elegante cuya
disposicion genera un gran confort
lumínico sin afectar al flujo de luz.

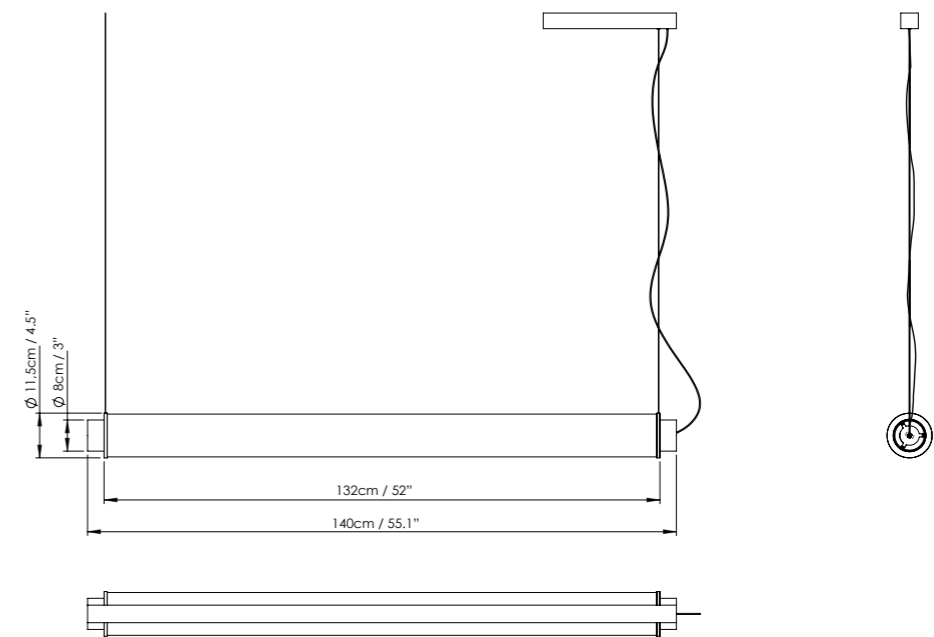
A fine and elegant moire effect whose
arrangement generates great
lighting comfort without affecting
the light flow.



SLIM SKIN SH 700



SLIM SKIN SH 1400



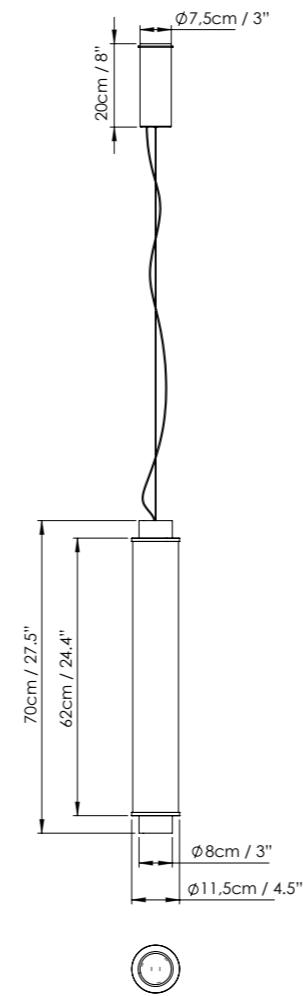
● Black (matte) ● Brass (matte) ○ Opal Glass ◉ Groove Glass

CODE	LAMP	LIGHT SOURCE
769300U	SLIMSKIN SH700 OPAL BLACK	LED 500mA 21W 2700K CRI≥90 3975lm DIM PUSH 1-10
769302U	SLIMSKIN SH700 OPAL BRASS	
769320U	SLIMSKIN SH700 GROOVE BLACK	
769322U	SLIMSKIN SH700 GROOVE BRASS	
769310U	SLIMSKIN SH1400 OPAL BLACK	LED 1050mA 42W 2700K CRI≥90 7950lm DIM PUSH 1-10
769312U	SLIMSKIN SH1400 OPAL BRASS	
769330U	SLIMSKIN SH1400 GROOVE BLACK	
769332U	SLIMSKIN SH1400 GROOVE BRASS	

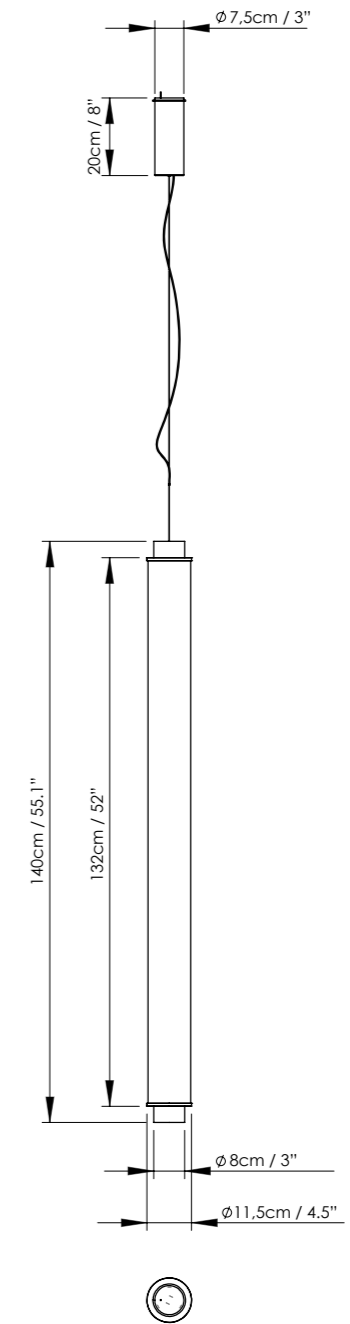




SLIM SKIN SV 700



SLIM SKIN SV 1400



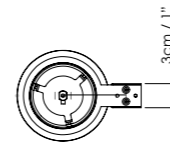
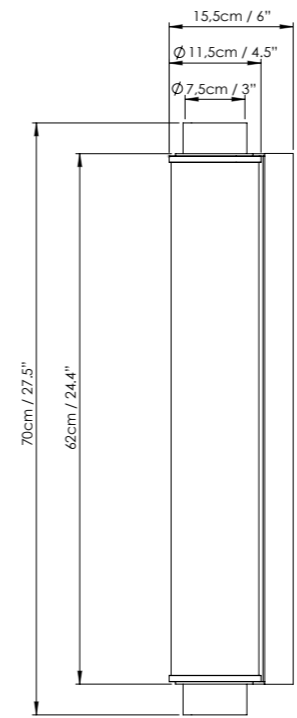
● Black (matte) ● Brass (matte) ○ Opal Glass ◉ Groove Glass

CODE	LAMP	LIGHT SOURCE
769350U	SLIMSKIN SV700 OPAL BLACK	LED 500mA 21W 2700K CRI≥90 3975lm DIM PUSH 1-10
769352U	SLIMSKIN SV700 OPAL BRASS	
769370U	SLIMSKIN SV700 GROOVE BLACK	
769372U	SLIMSKIN SV700 GROOVE BRASS	
769360U	SLIMSKIN SV1400 OPAL BLACK	LED 1050mA 42W 2700K CRI≥90 7950lm DIM PUSH 1-10
769362U	SLIMSKIN SV1400 OPAL BRASS	
769380U	SLIMSKIN SV1400 GROOVE BLACK	
769382U	SLIMSKIN SV1400 GROOVE BRASS	

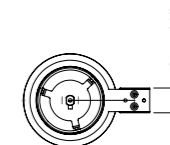
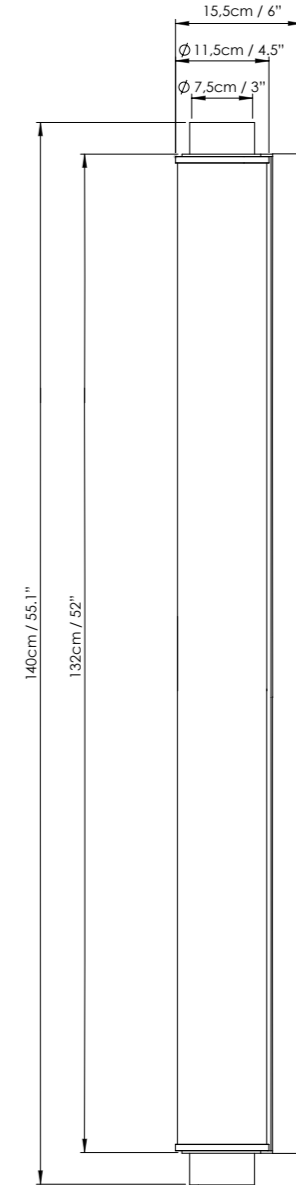




SLIM SKIN W 700



SLIM SKIN W 1400



- Black (matte)
- Brass (matte)
- Opal Glass
- ⊖ Groove Glass

CODE	LAMP	LIGHT SOURCE
769100U	SLIMSKIN W700 OPAL BLACK	LED 500mA 21W 2700K CRI≥90 3975lm DIM PUSH 1-10
769102U	SLIMSKIN W700 OPAL BRASS	
769120U	SLIMSKIN W700 GROOVE BLACK	
769122U	SLIMSKIN W700 GROOVE BRASS	
769110U	SLIMSKIN W1400 OPAL BLACK	LED 1050mA 42W 2700K CRI≥90 7950lm DIM PUSH 1-10
769112U	SLIMSKIN W1400 OPAL BRASS	
769130U	SLIMSKIN W1400 GROOVE BLACK	
769132U	SLIMSKIN W1400 GROOVE BRASS	



Proudly Distributed by



For US Distribution, please contact IM Design Concepts
imdesignconcepts.com | info@imdesignconcepts.com | (813) 284-7435

B.LUX SHOWROOMS

B.LUX HEAD OFFICE / SHOWROOM

Poligono Okamika Pab 1
48289 Gizaburuaga (Spain)
info@grupoblux.com

B.LUX SHOWROOM MADRID (SPAIN)

Calle de Claudio Coello, 18
28001 Madrid
madrid@grupoblux.com

B.LUX FLORIDA (USA)

IM DESIGN CONCEPTS

9940 Currie Davis Drive, Suite C-138
Tampa, FL 33619
usa@grupoblux.com

B.LUX SHOWROOM LONDON (UK)

INNERMOST - CIRCLE EXPERIENCE LAB

Business Design Centre #327
Islington, London
info@grupoblux.com

B.LUX SHOWROOM MANILA (Philippines)

SPANISH DESIGNS CORP.

G/F Xavier Residences Xavier street
San Juan City (Metro Manila)
info@grupoblux.com

B.LUX SHOWROOM MUNICH (Germany)

Designerwerkchau
Gotzinger Str. 52b
81371 München
deutschland@grupoblux.com

B.LUX SHOWROOM PARIS (France)

By SOKOA Space
18 Rue Duphot
75001 Paris
paris@grupoblux.com

B.lux

B.lux